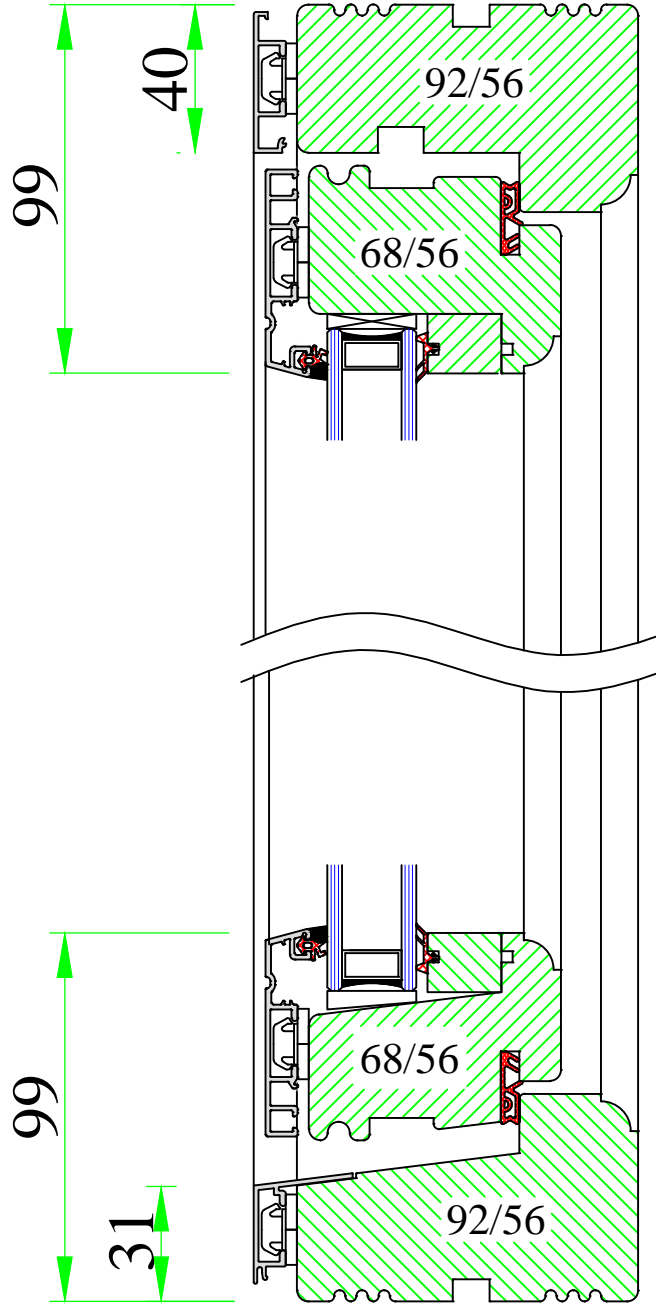


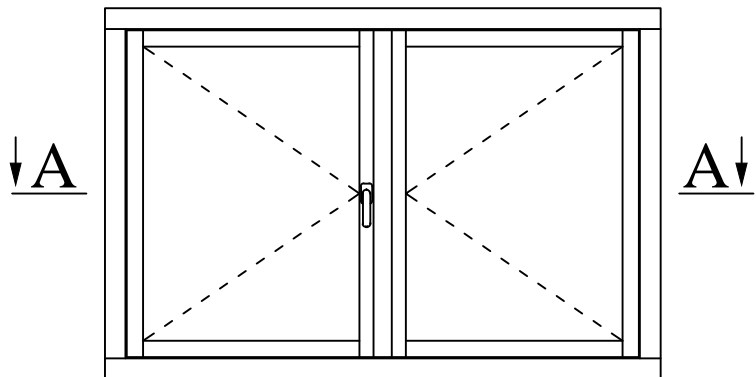
A-A



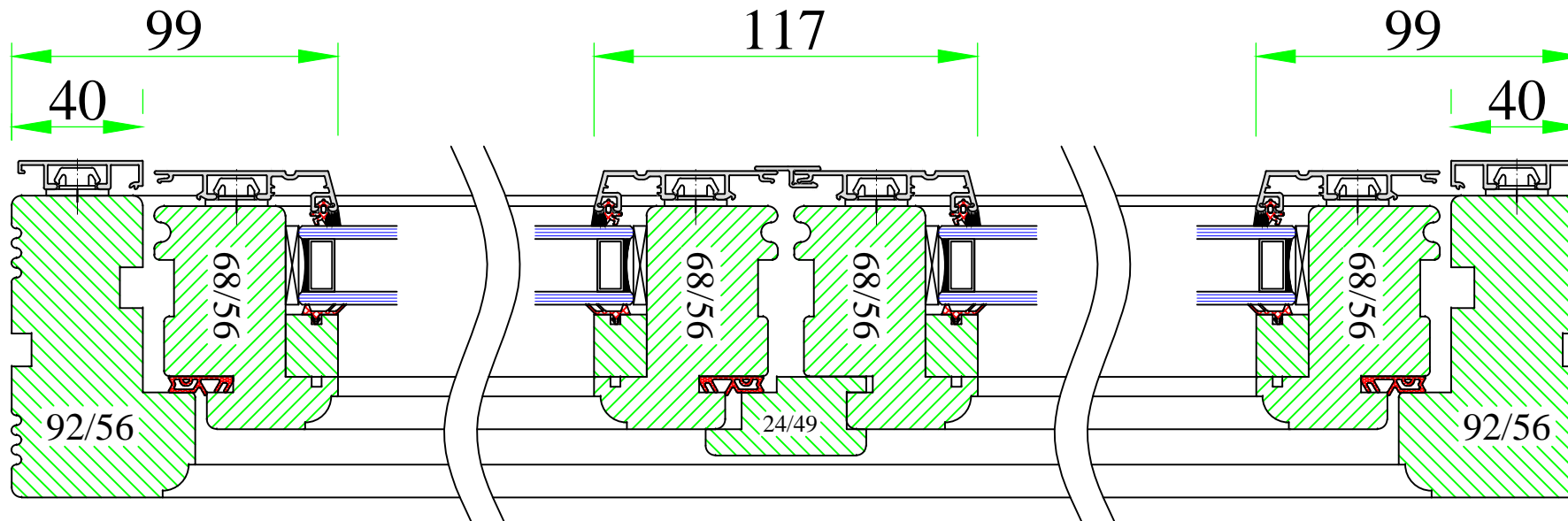
UNI WINDOWS Ltd.
 Unit 6, Edgefield Industrial Est.
 Loanhead, EH20 9TB
 Tel.: 0131 448 3931

DUWIN
 Flush casement outward open window

Version: 1	Scale: 1:2
Date: 15.05.14	Drawing: NOD/1



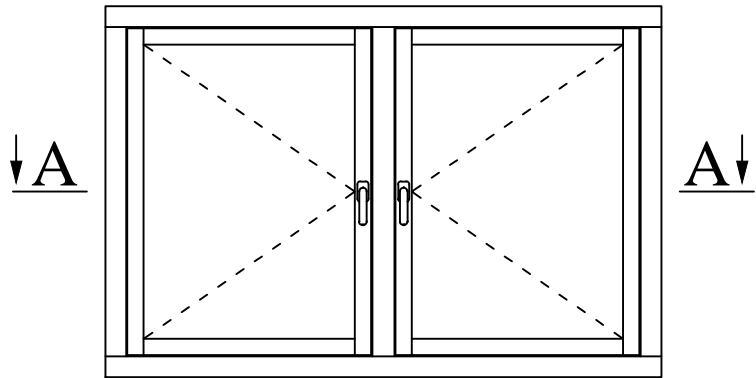
A-A



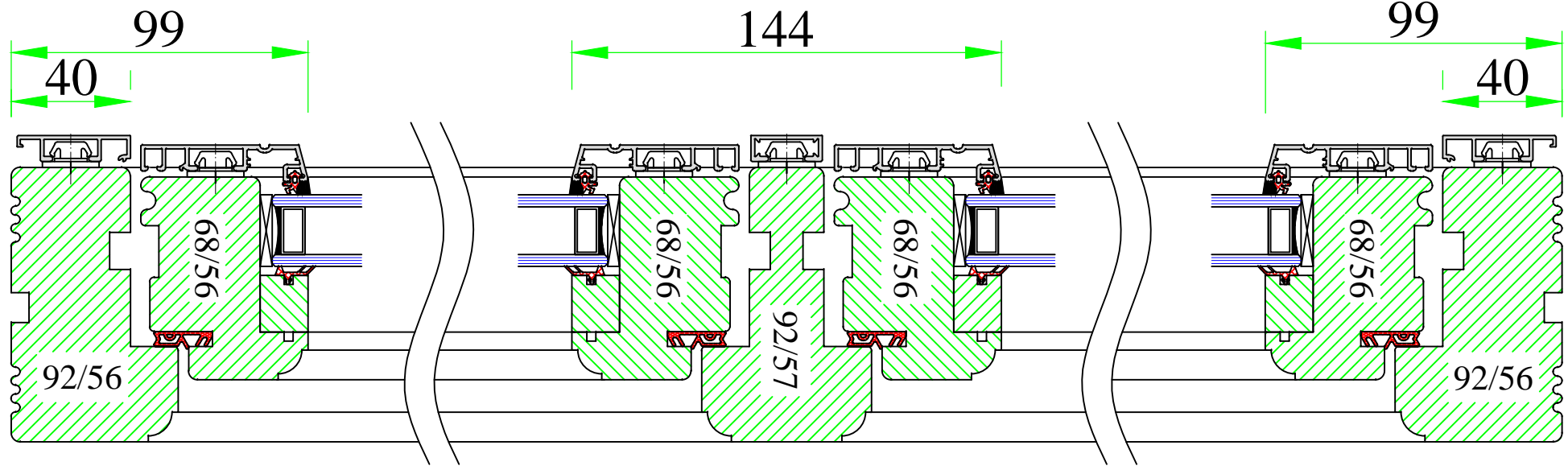
UNI WINDOWS Ltd.
 Unit 6, Edgefield Industrial Est.
 Loanhead, EH20 9TB
 Tel.: 0131 448 3931

DURWIN
 Double opening window with 'flying' mullion

Version: 1	Scale: 1:2
Date: 15.05.14	Drawing: NOD/2



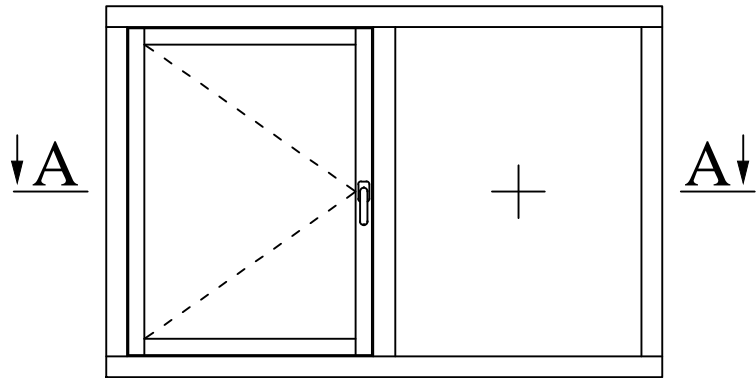
A-A



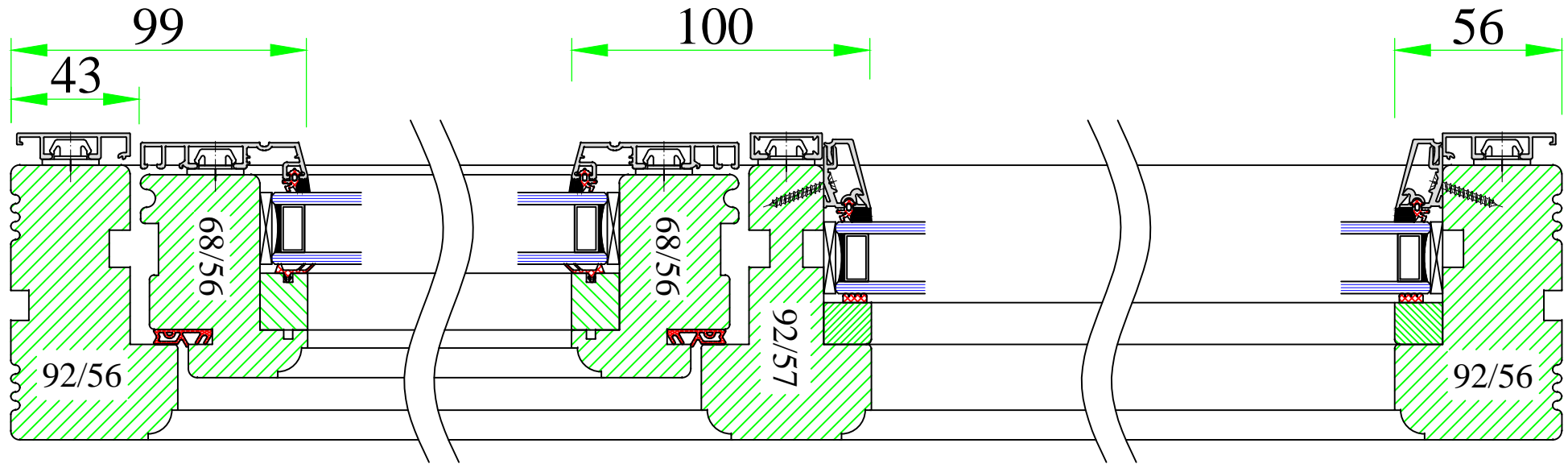
UNI WINDOWS Ltd.
 Unit 6, Edgefield Industrial Est.
 Loanhead, EH20 9TB
 Tel.: 0131 448 3931

DURWIN
 Double opening window with fixed mullion

Version: 1	Scale: 1:2
Date: 15.05.14	Drawing: NOD/3



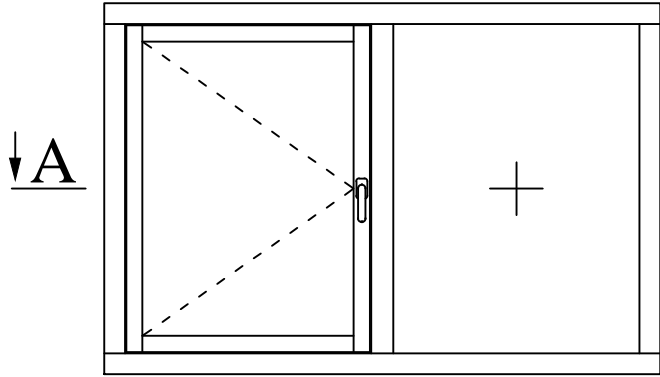
A-A



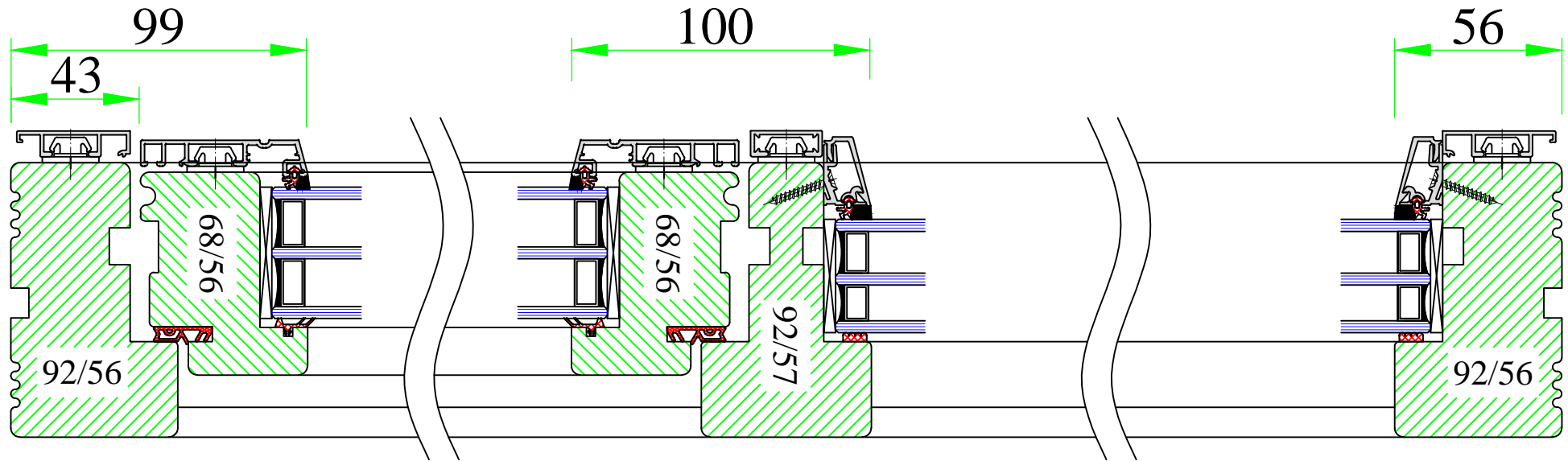
UNI WINDOWS Ltd.
 Unit 6, Edgefield Industrial Est.
 Loanhead, EH20 9TB
 Tel.: 0131 448 3931

DURWIN
 Single window leaf with fixed side light

Version: 1	Scale: 1:2
Date: 15.05.14	Drawing: NOD/4



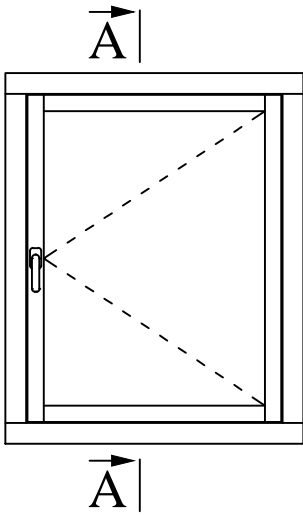
A-A



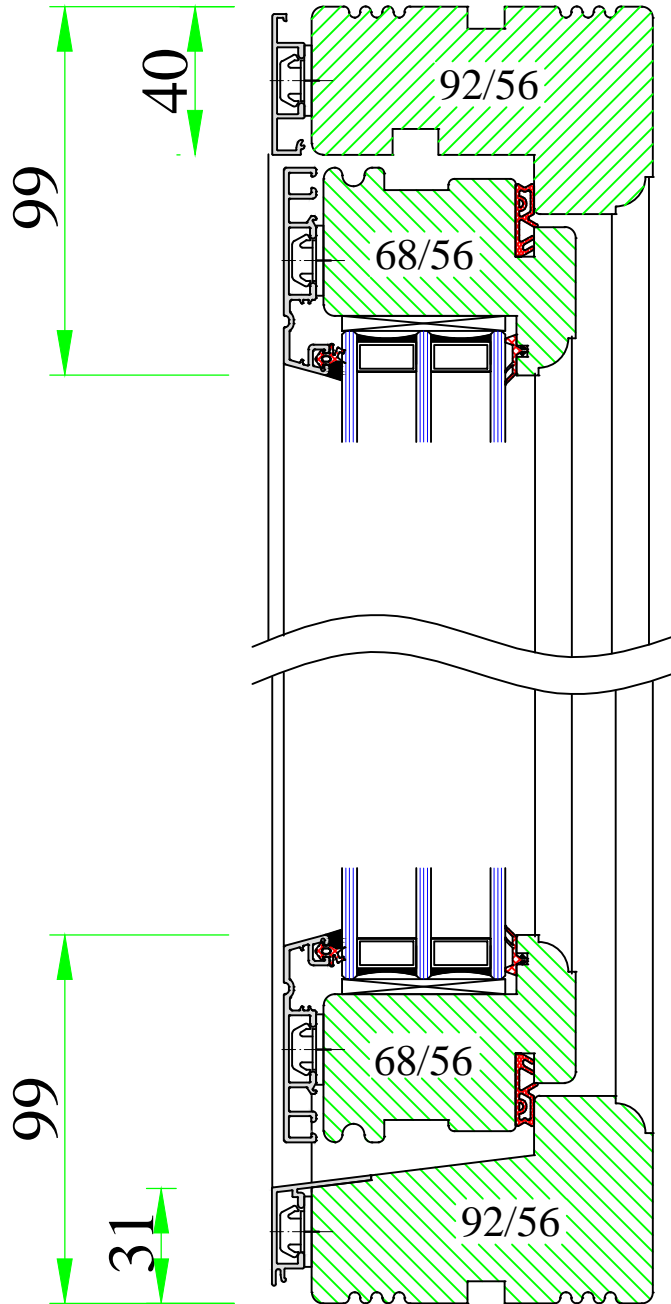
UNI WINDOWS Ltd.
 Unit 6, Edgefield Industrial Est.
 Loanhead, EH20 9TB
 Tel.: 0131 448 3931

DURWIN
 Single leaf window with fixed side light,
 fixed post 57mm, square profile

Version: 1	Scale: 1:2
Date: 15.05.14	Drawing: NOD/4-2



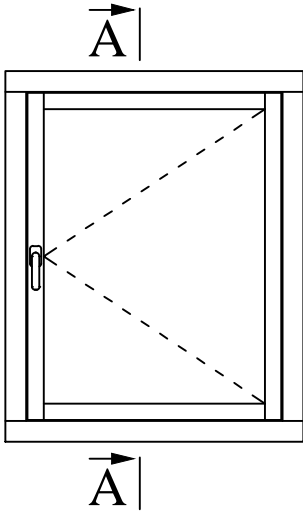
A-A



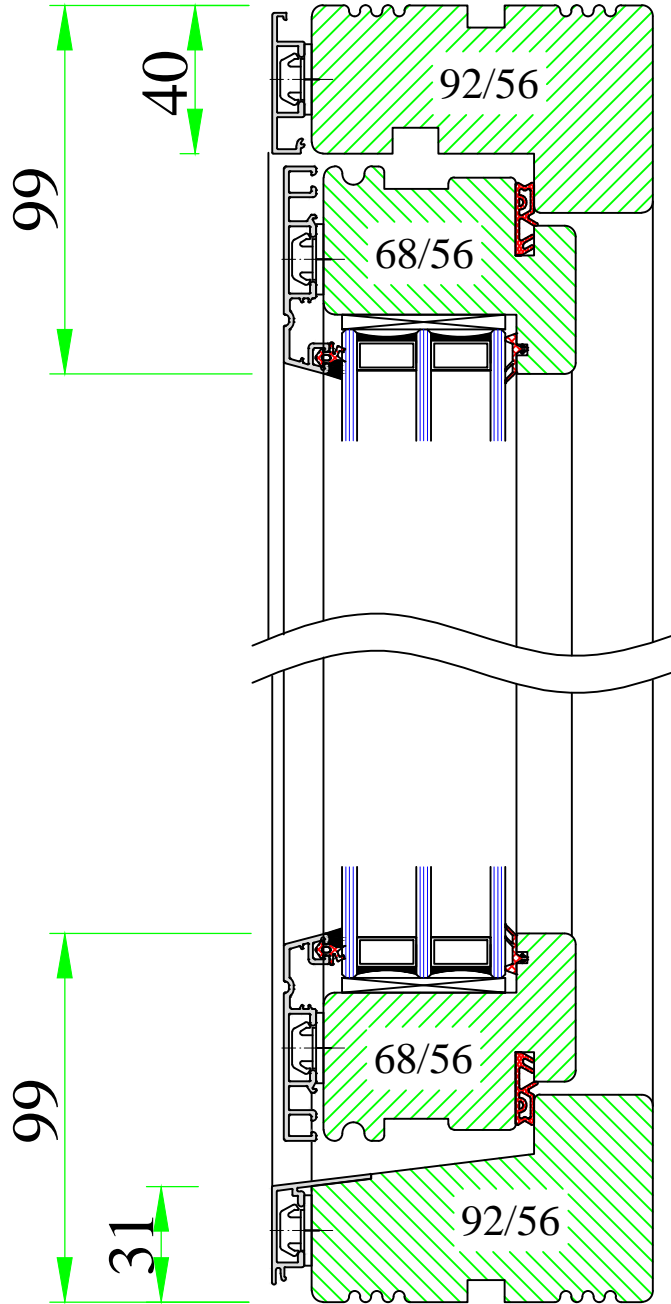
UNI WINDOWS Ltd.
 Unit 6, Edgefield Industrial Est.
 Loanhead, EH20 9TB
 Tel.: 0131 448 3931

DURWIN
 Flush casement outward open window

Version: 1	Scale: 1:2
Date: 15.05.14	Drawing: NOD/5



A-A

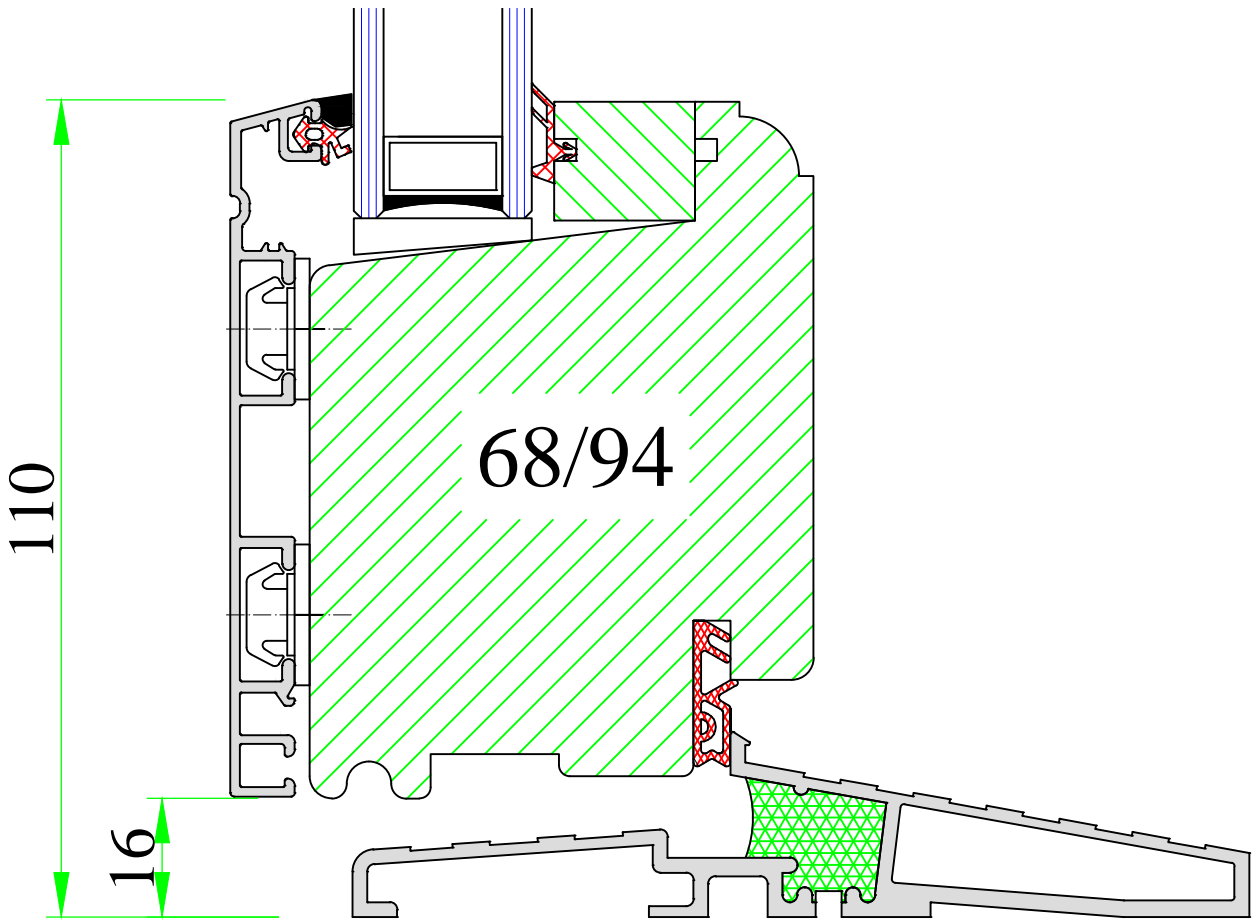
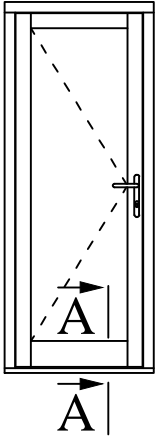


UNI WINDOWS Ltd.
 Unit 6, Edgefield Industrial Est.
 Loanhead, EH20 9TB
 Tel.: 0131 448 3931

DURWIN
 Flush casement outward opening window

Version:
1
 Date:
15.05.14

Scale:
1:2
 Drawing:
NOD/6

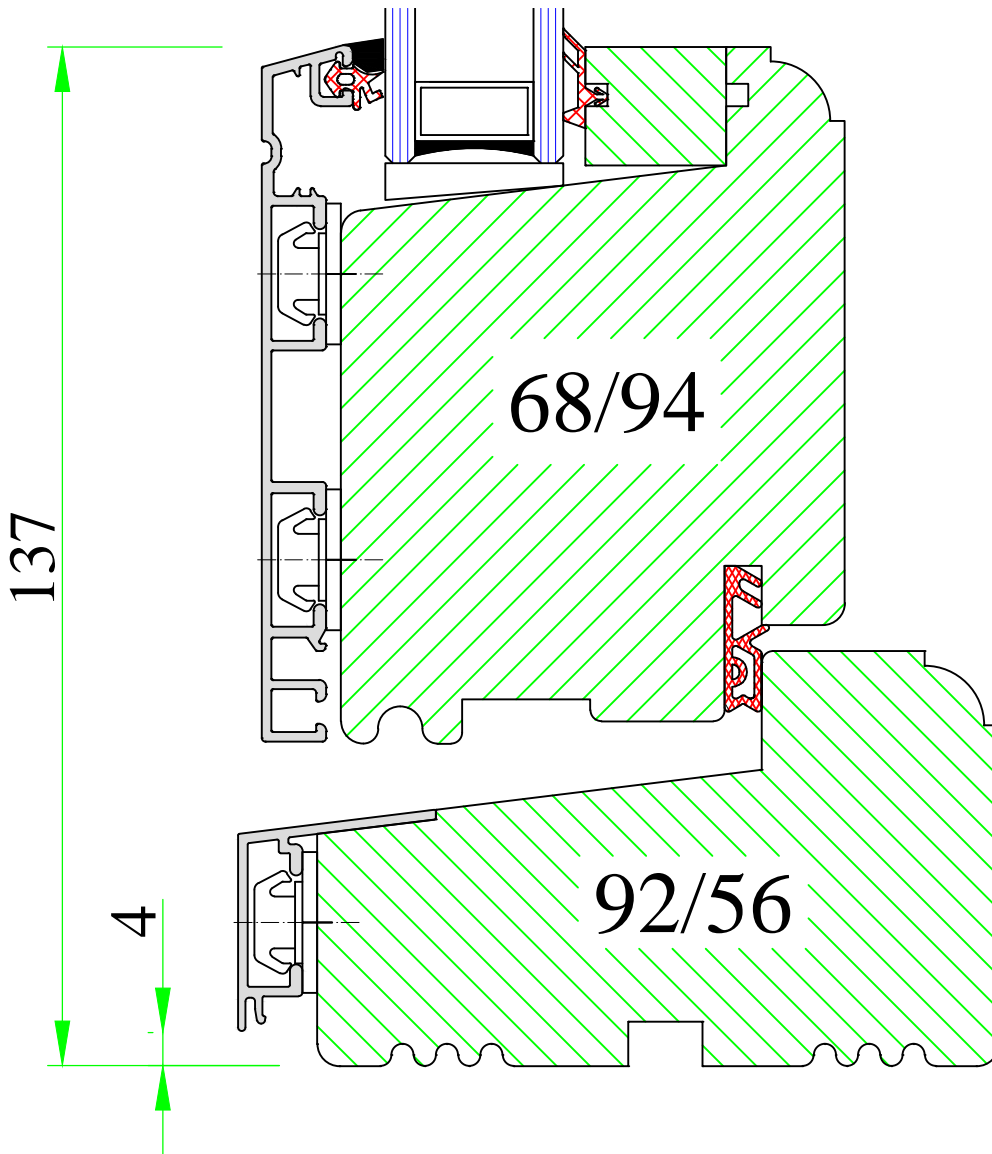
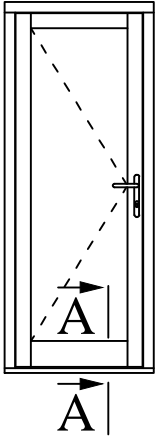


UNI WINDOWS Ltd.
 Unit 6, Edgefield Industrial Est.
 Loanhead, EH20 9TB
 Tel.: 0131 448 3931

DURWIN

External door with aluminium threshold DAFA

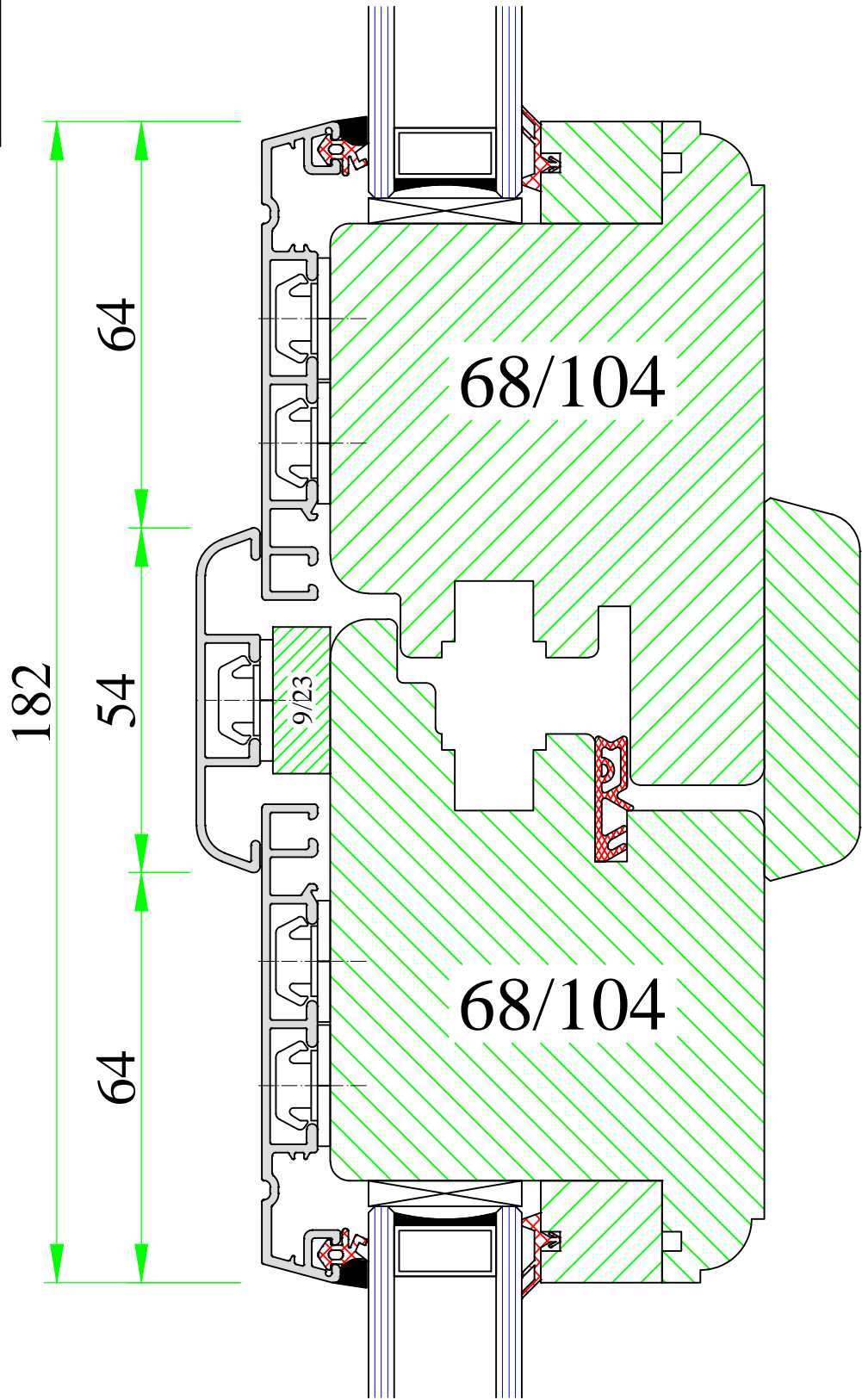
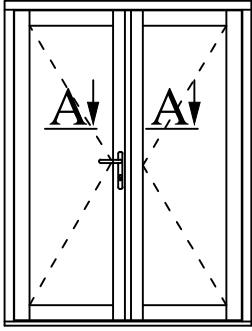
Version: 1	Scale: 1:1
Date: 15.05.14	Drawing: NDD/1

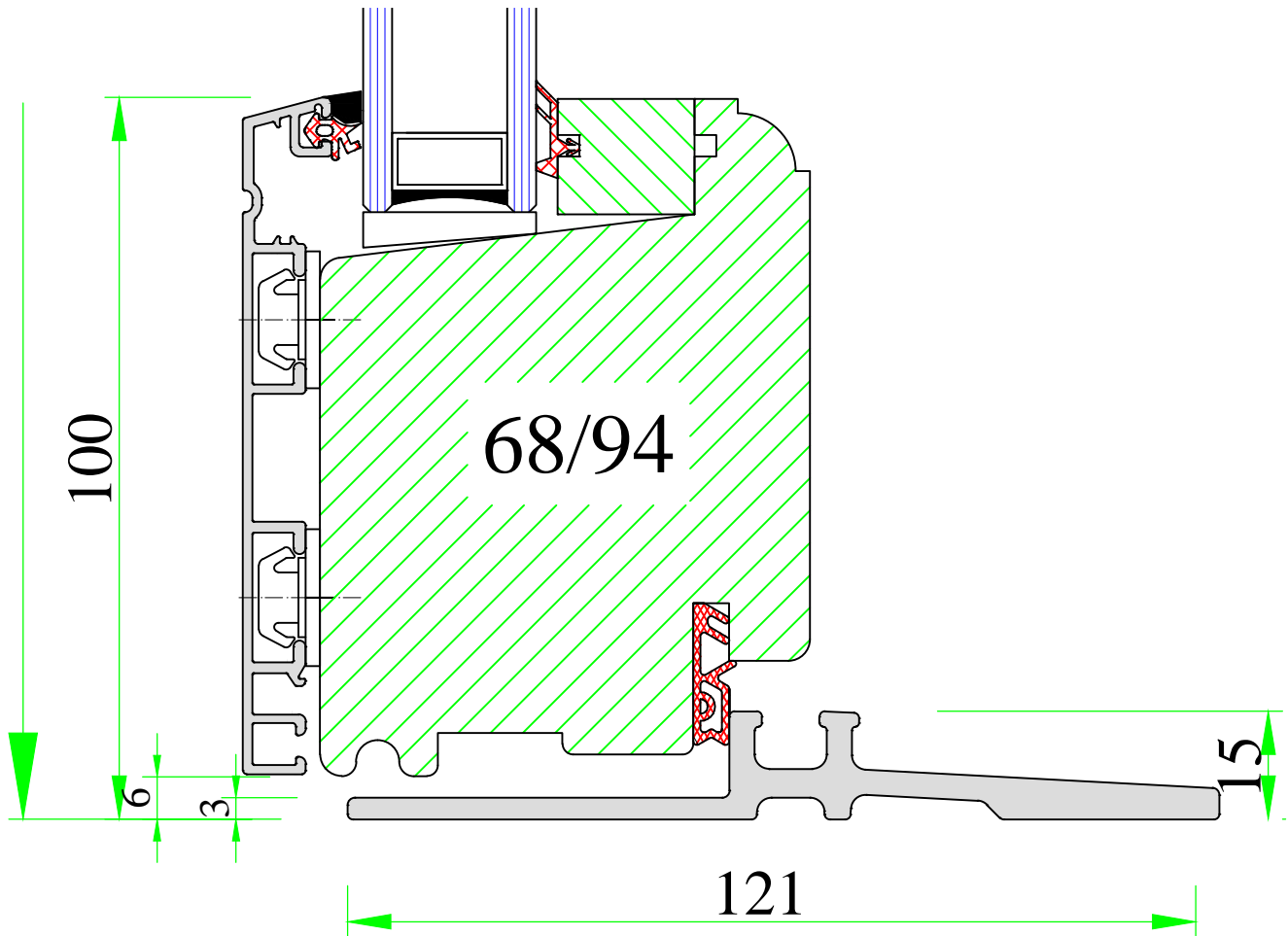
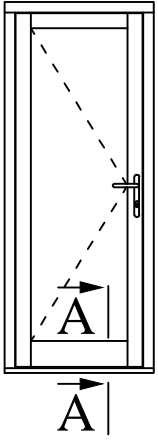


UNI WINDOWS Ltd.
 Unit 6, Edgefield Industrial Est.
 Loanhead, EH20 9TB
 Tel.: 0131 448 3931

DURWIN
 External door with wooden threshold

Version: 1	Scale: 1:1
Date: 15.05.14	Drawing: NDD/2





UNI WINDOWS Ltd.
 Unit 6, Edgefield Industrial Est.
 Loanhead, EH20 9TB
 Tel.: 0131 448 3931

External door with ULT threshold

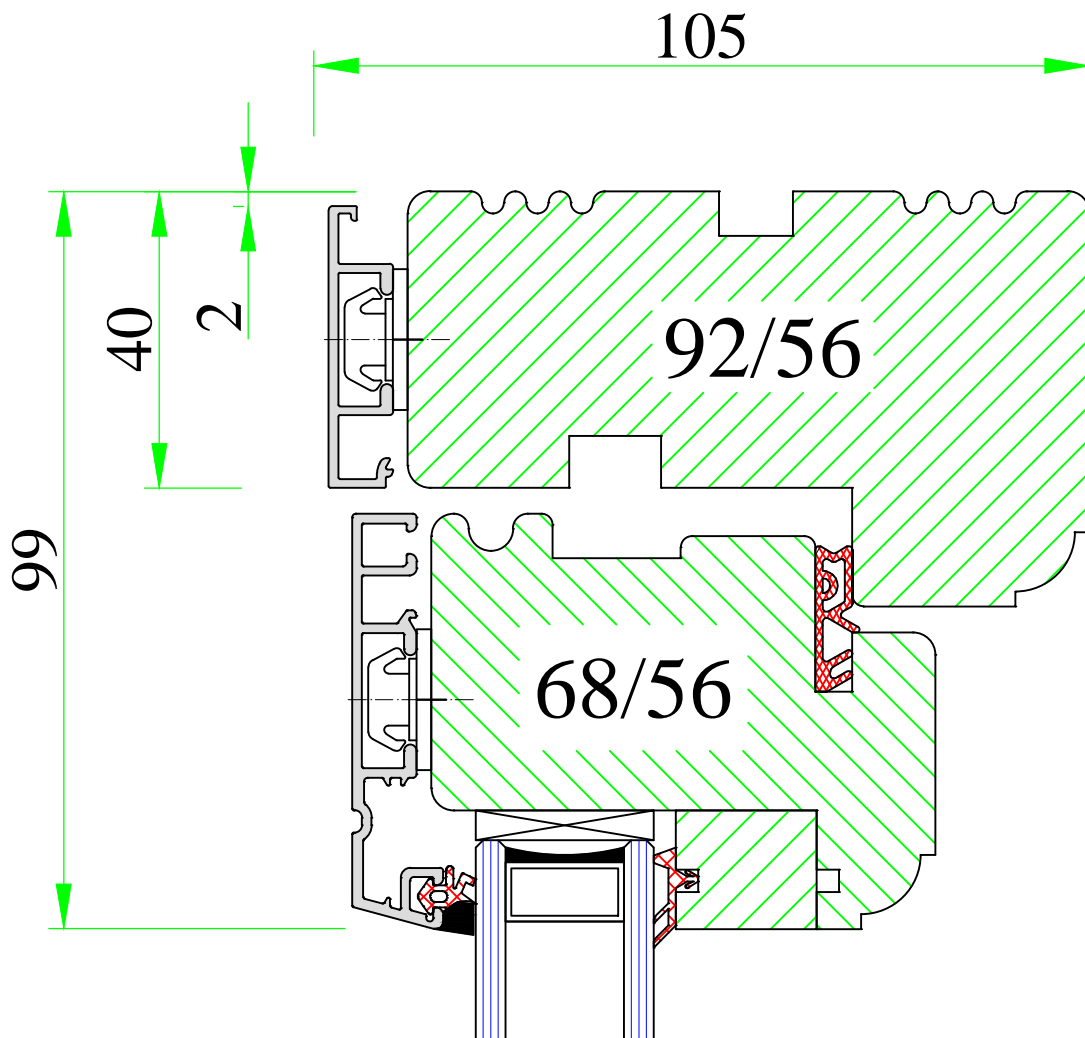
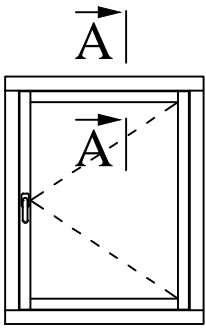
DURWIN

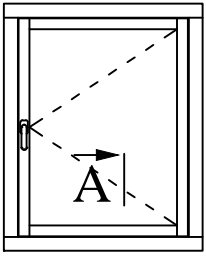
Version:
1

Scale:
1:1

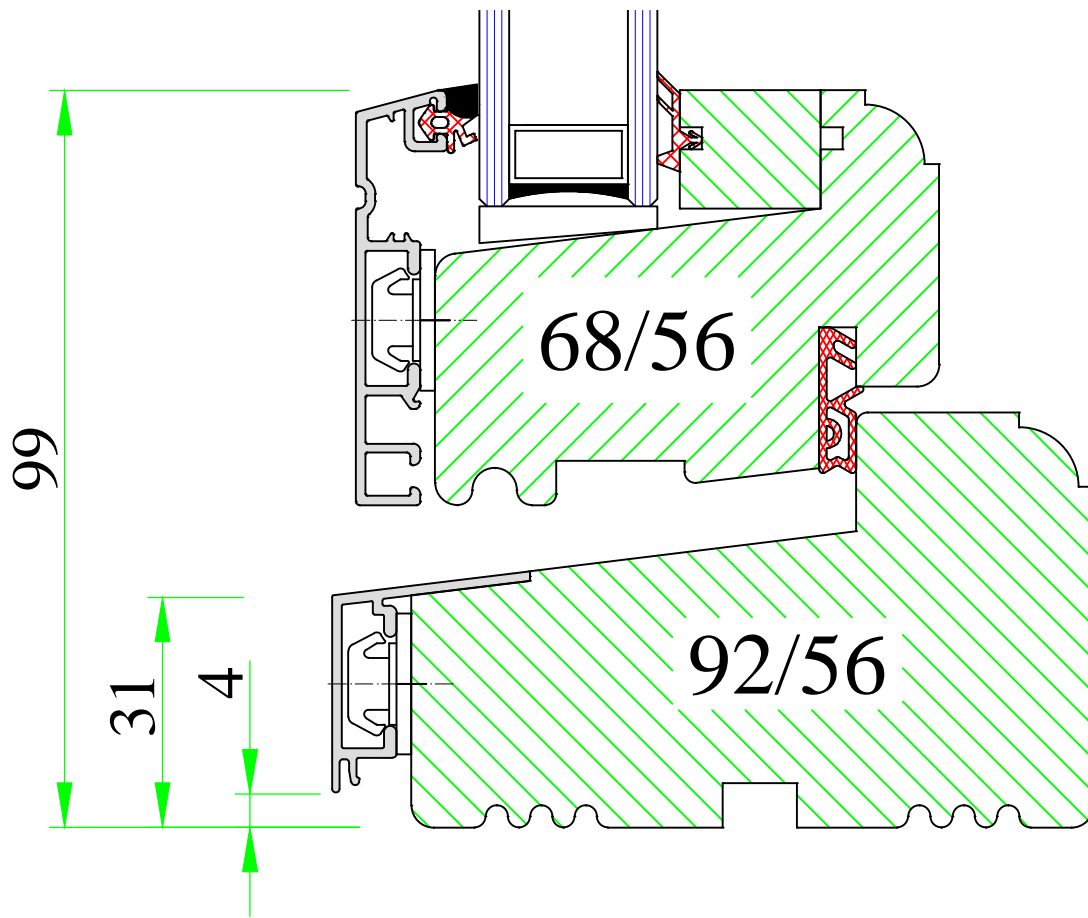
Date:
15.05.14

Drawing:
NDD/10





A



UNI WINDOWS Ltd.
 Unit 6, Edgefield Industrial Est.
 Loanhead, EH20 9TB
 Tel.: 0131 448 3931

Frame-sash connection – bottom

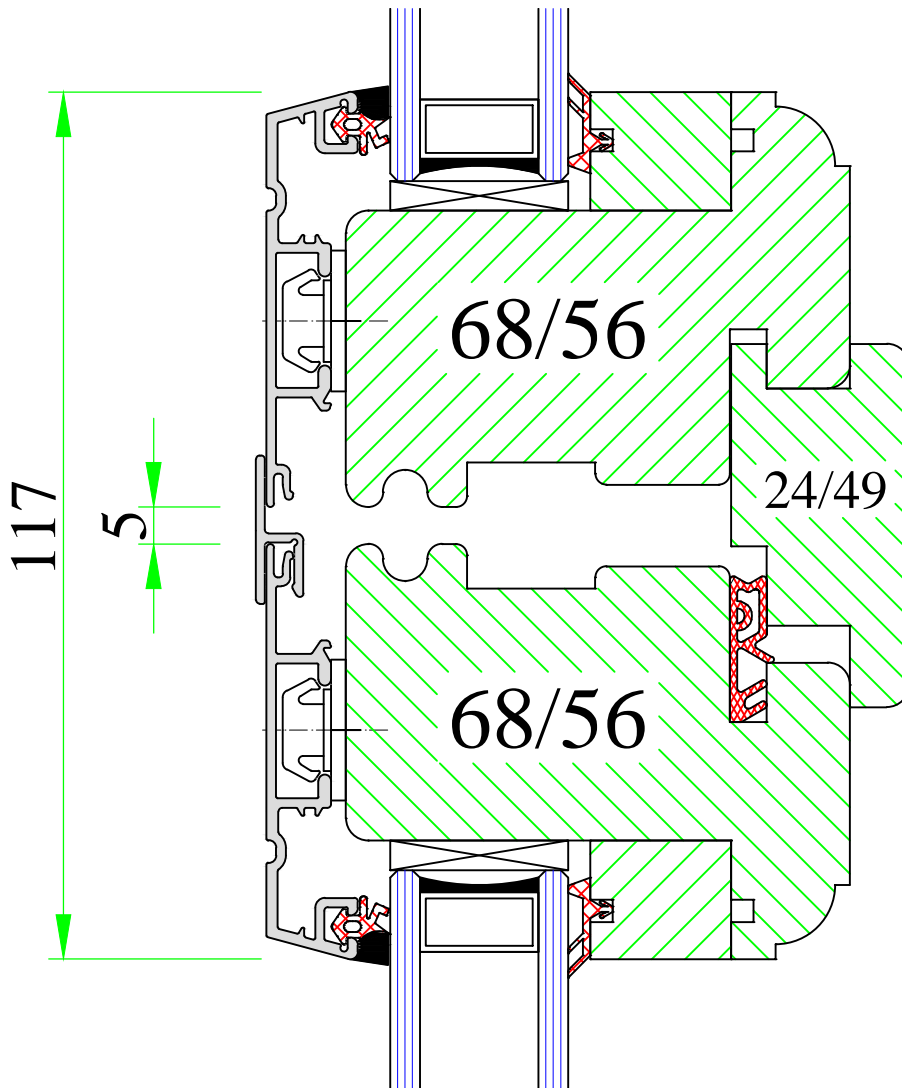
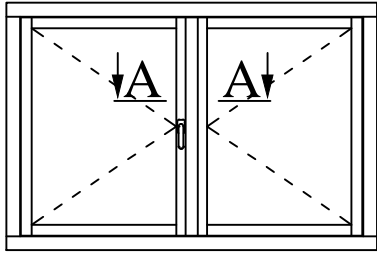
DURWIN

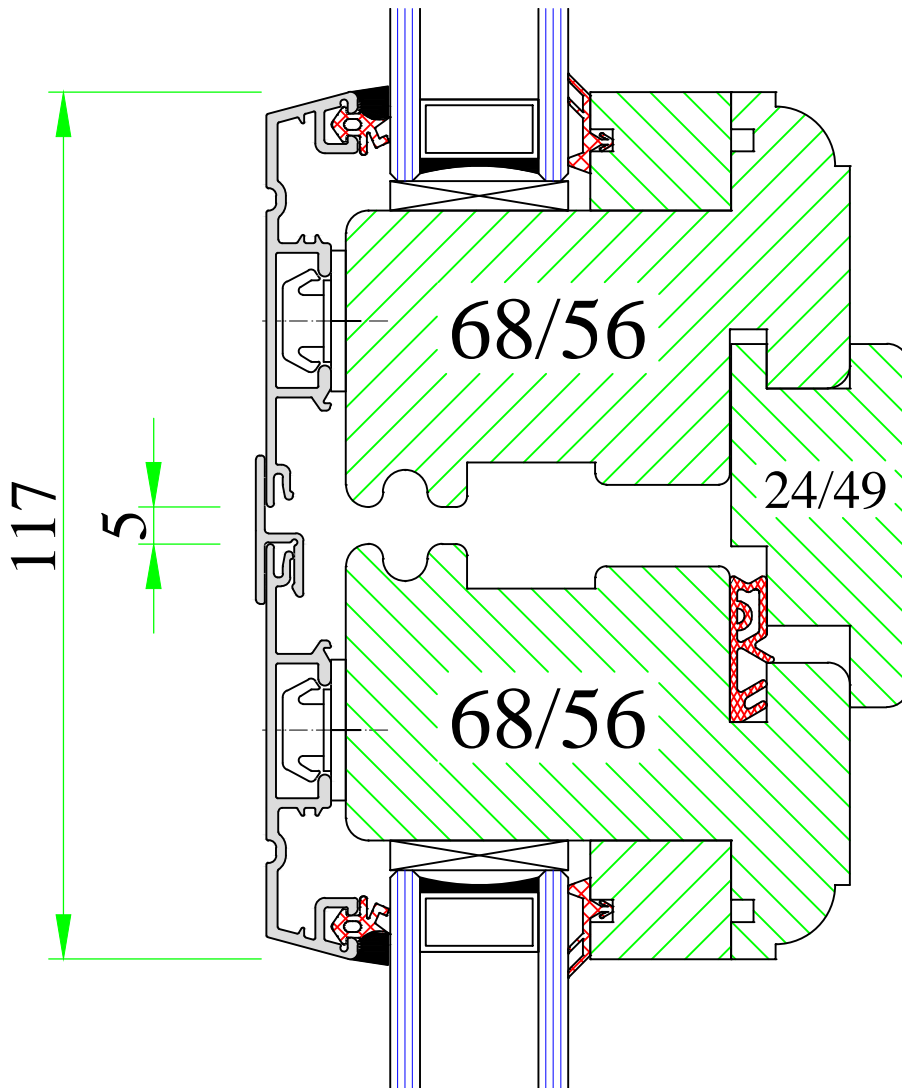
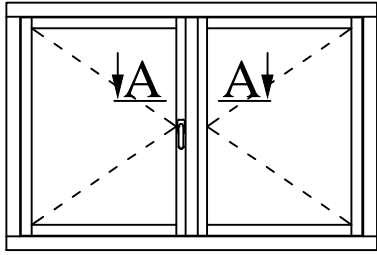
Version:
1

Date:
15.05.14

Scale:
1:1

Drawing:
ND/2





UNI WINDOWS Ltd.
 Unit 6, Edgefield Industrial Est.
 Loanhead, EH20 9TB
 Tel.: 0131 448 3931

Flying mullion

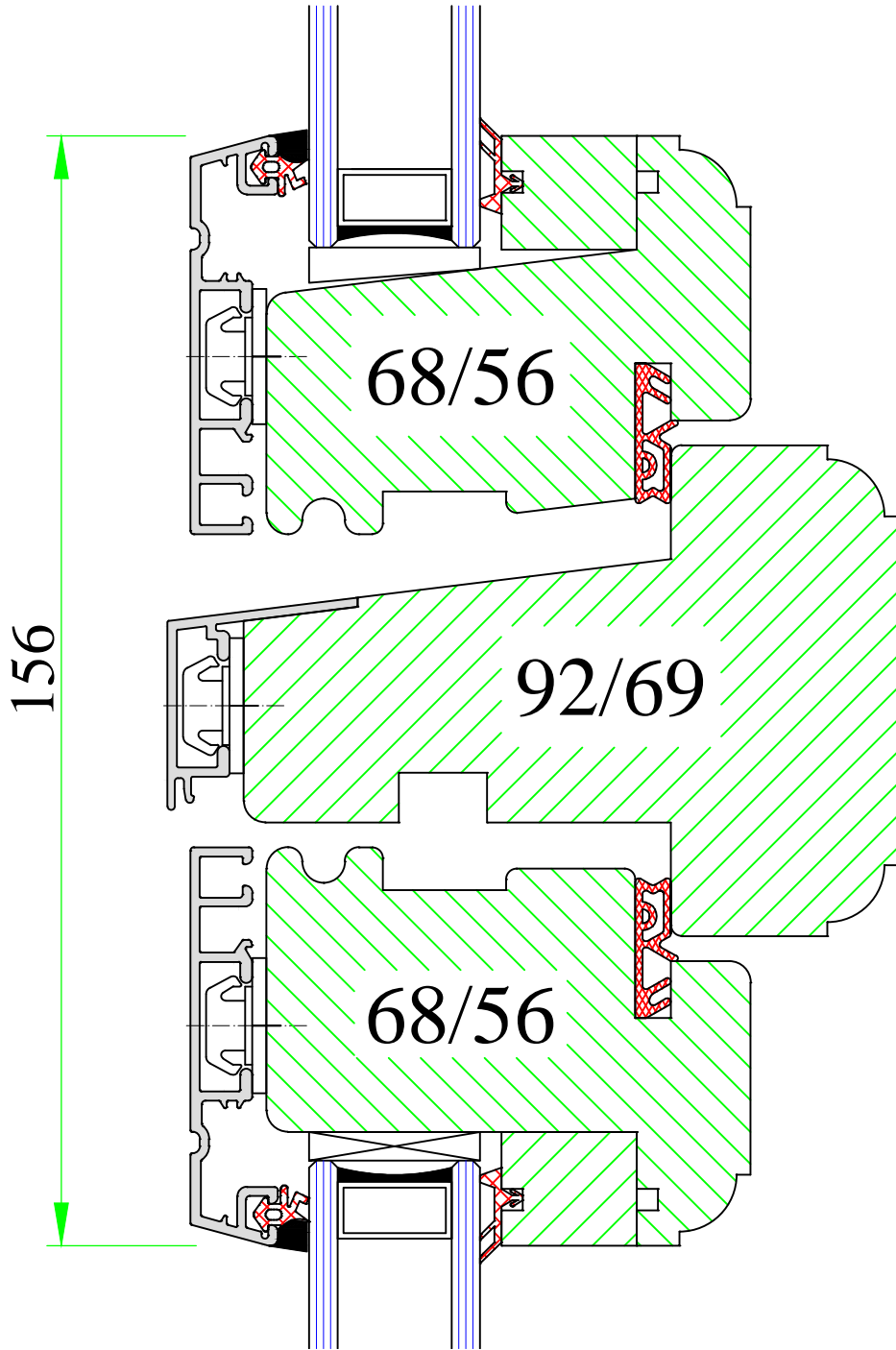
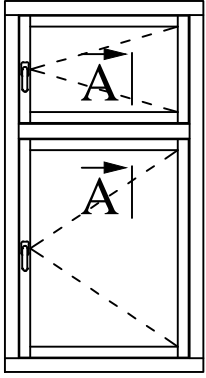
DURWIN

Version:
1

Scale:
1:1

Date:
15.05.14

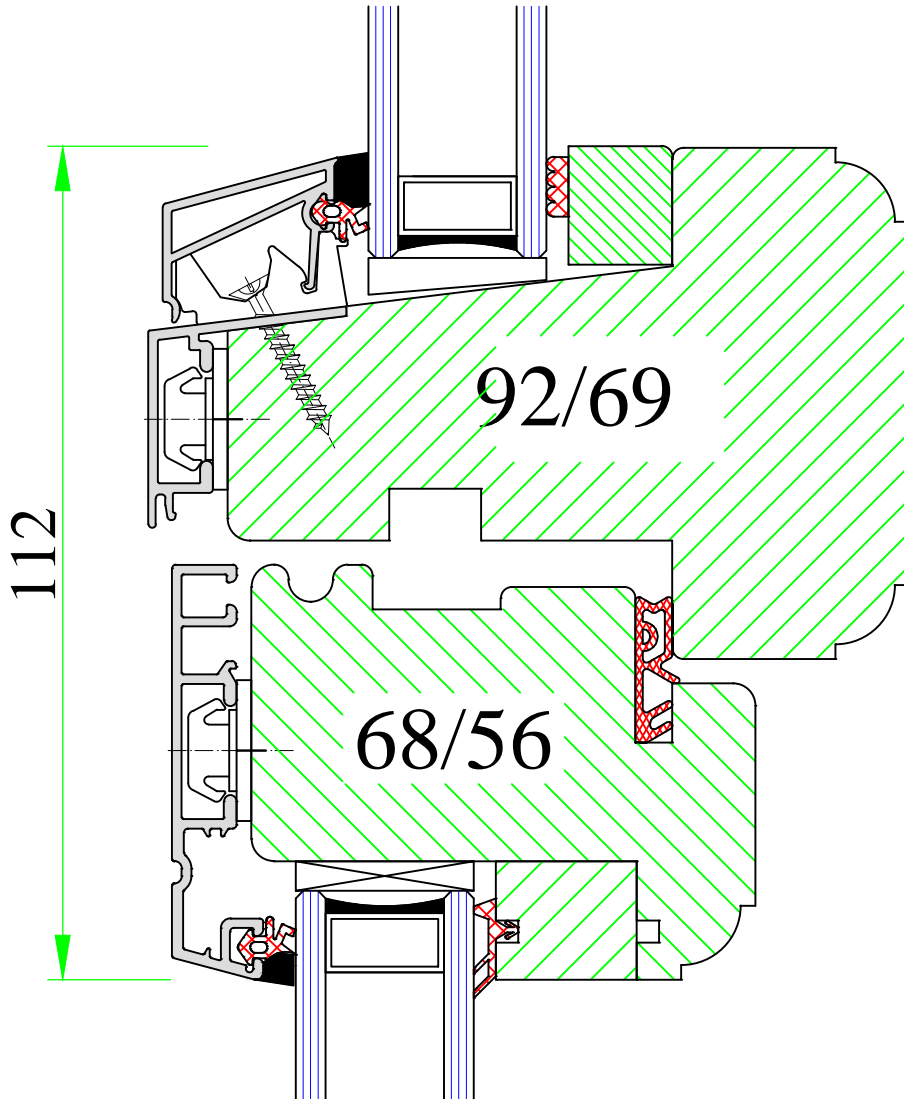
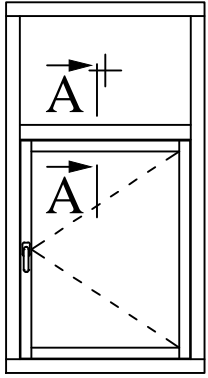
Drawing:
ND/4



UNI WINDOWS Ltd.
 Unit 6, Edgefield Industrial Est.
 Loanhead, EH20 9TB
 Tel.: 0131 448 3931

DURWIN
 Bottom and top sash – transom 60mm

Version: 1	Scale: 1:1
Date: 15.05.14	Drawing: ND/8



UNI WINDOWS Ltd.
 Unit 6, Edgefield Industrial Est.
 Loanhead, EH20 9TB
 Tel.: 0131 448 3931

Window with fixed top light

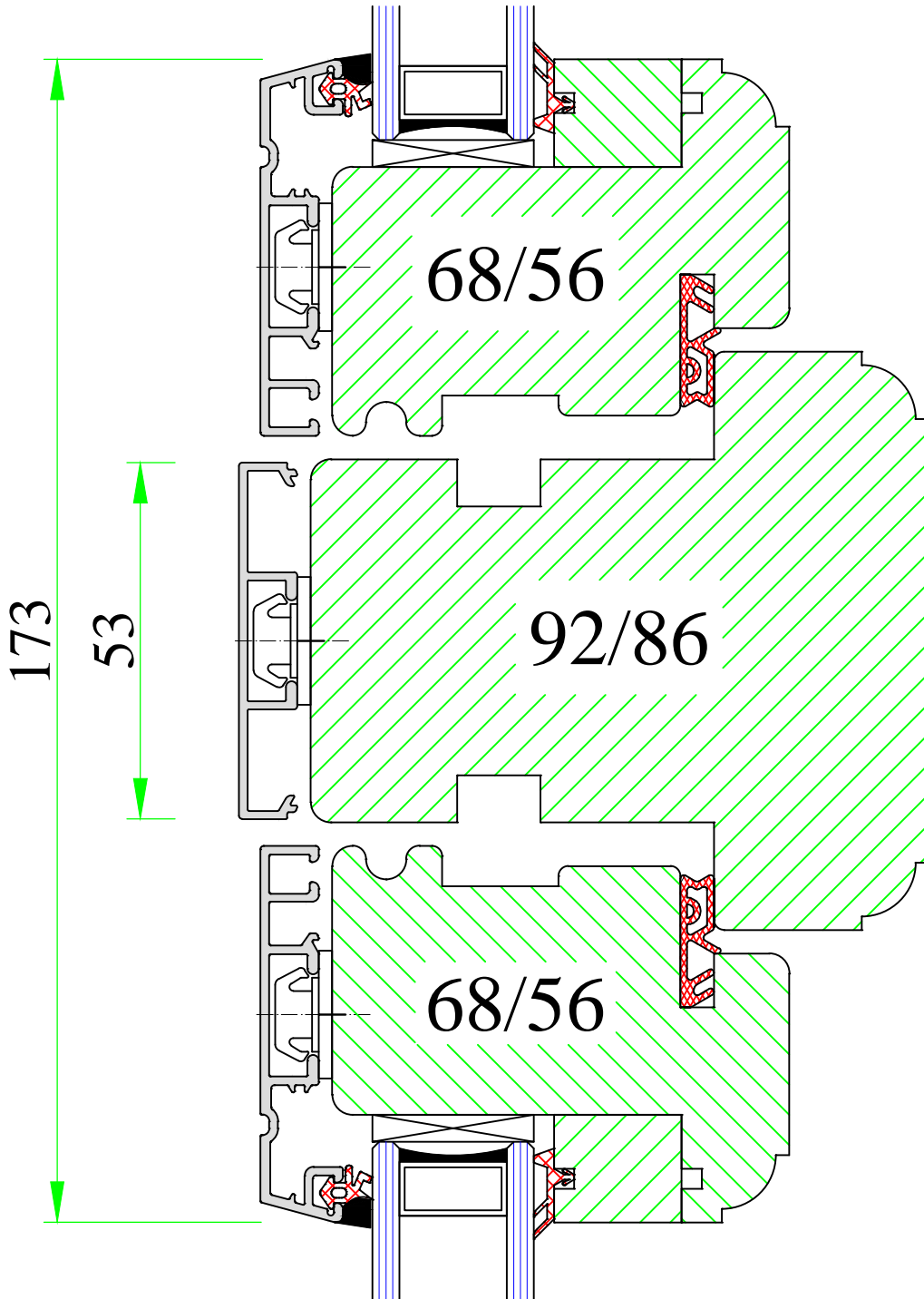
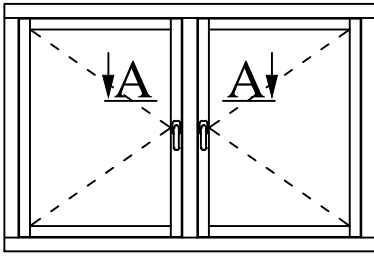
DURWIN

Version:
1

Scale:
1:1

Date:
15.05.14

Drawing:
ND/9



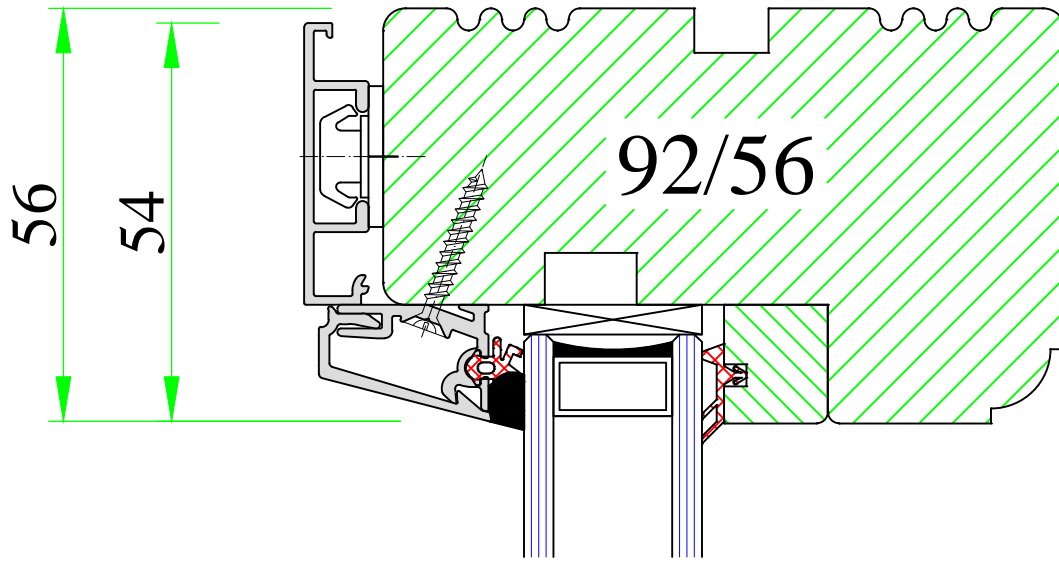
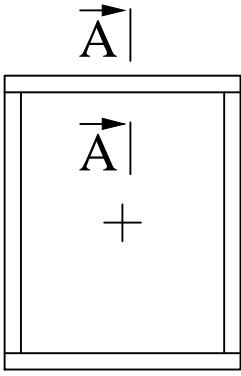
www.uniwin.co.uk

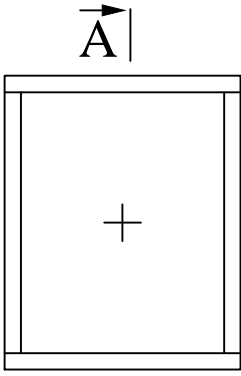


UNI WINDOWS Ltd.
 Unit 6, Edgefield Industrial Est.
 Loanhead, EH20 9TB
 Tel.: 0131 448 3931

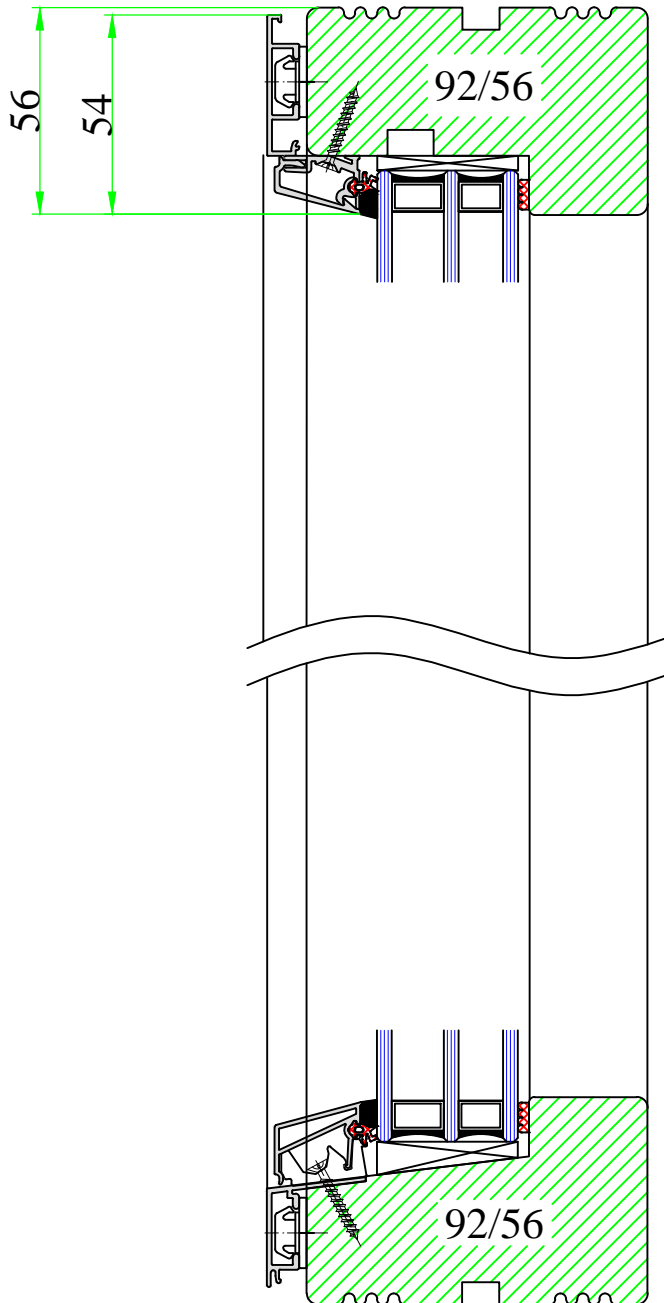
DURWIN
 Double opening window fixed mullion 85mm

Version: 1	Scale: 1:1
Date: 15.05.14	Drawing: ND/10





A



UNI WINDOWS Ltd.
 Unit 6, Edgefield Industrial Est.
 Loanhead, EH20 9TB
 Tel.: 0131 448 3931

Fixed glazing - square profile

DURWIN

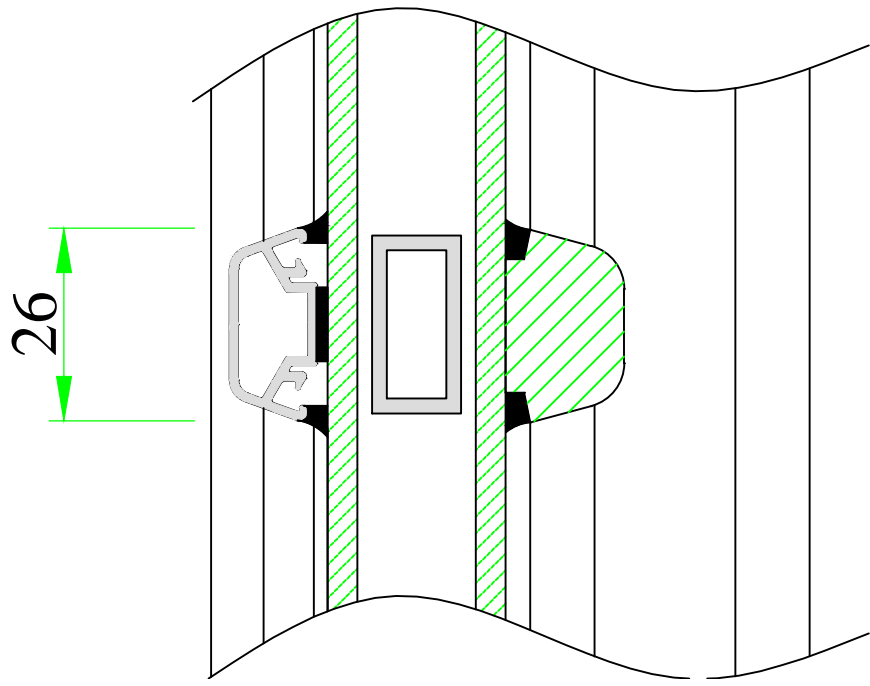
Version:
1

Scale:
1:2

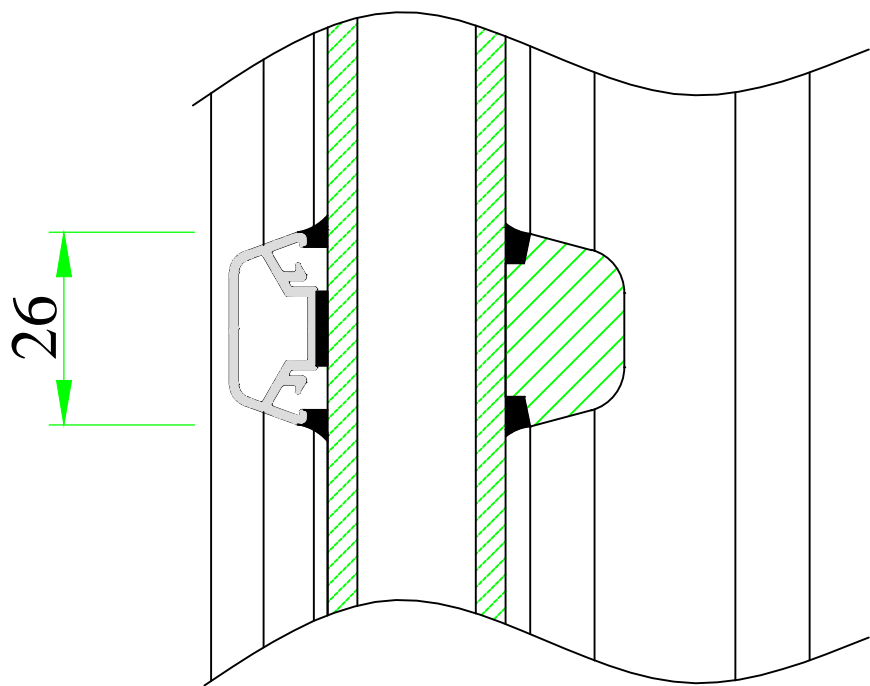
Date:
15.05.14

Drawing:
ND/11-2

ND/16



ND/16/1



www.uniwin.co.uk

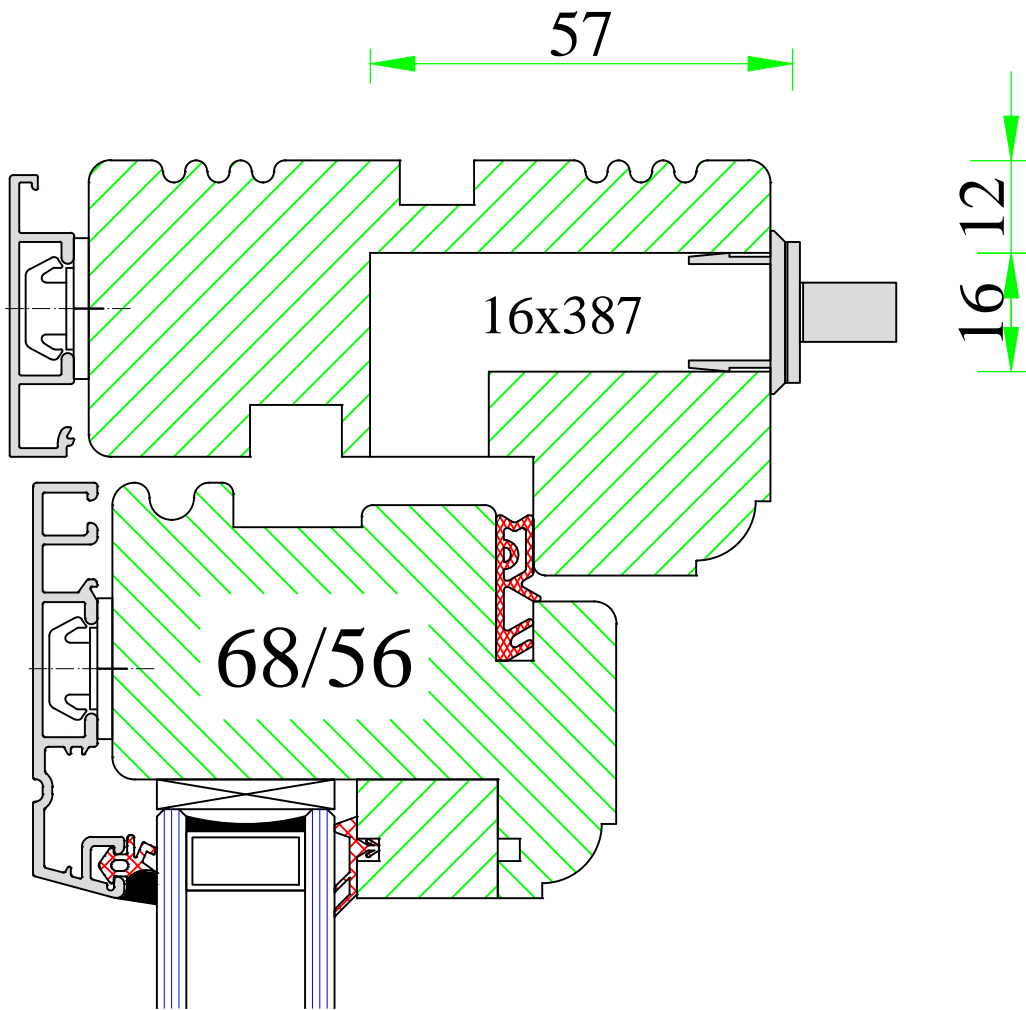
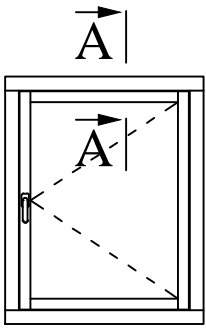


UNI WINDOWS Ltd.
Unit 6, Edgefield Industrial Est.
Loanhead, EH20 9TB
Tel.: 0131 448 3931

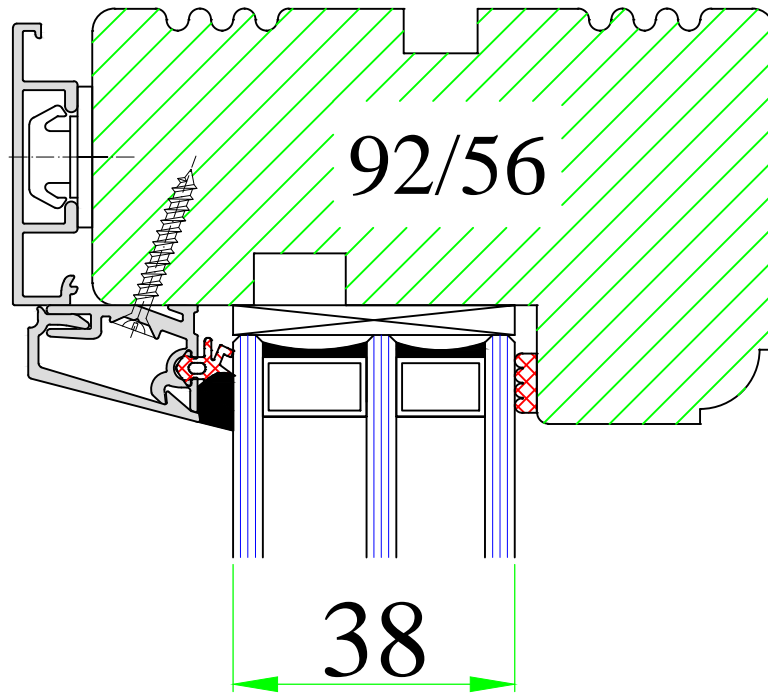
Georgian bar

DURWIN

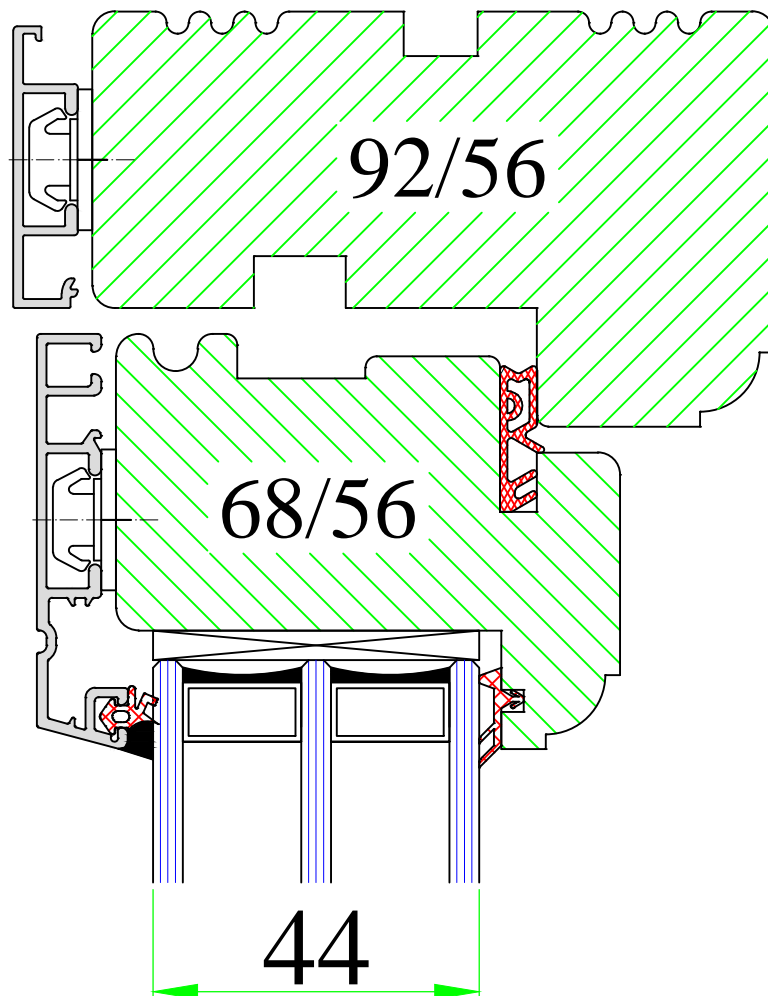
Version: 1	Scale: 1:1
Date: 15.05.14	Drawing: ND/16



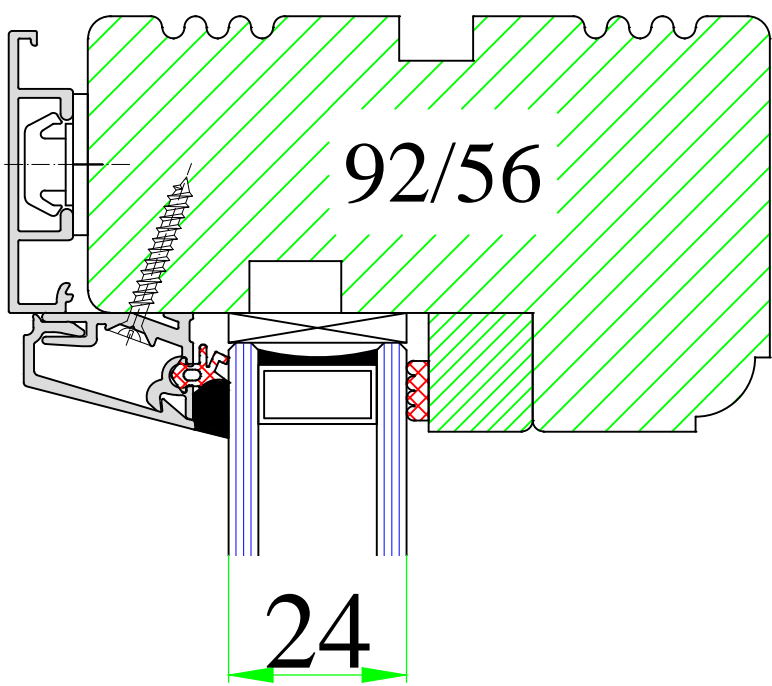
frame
U=0,7



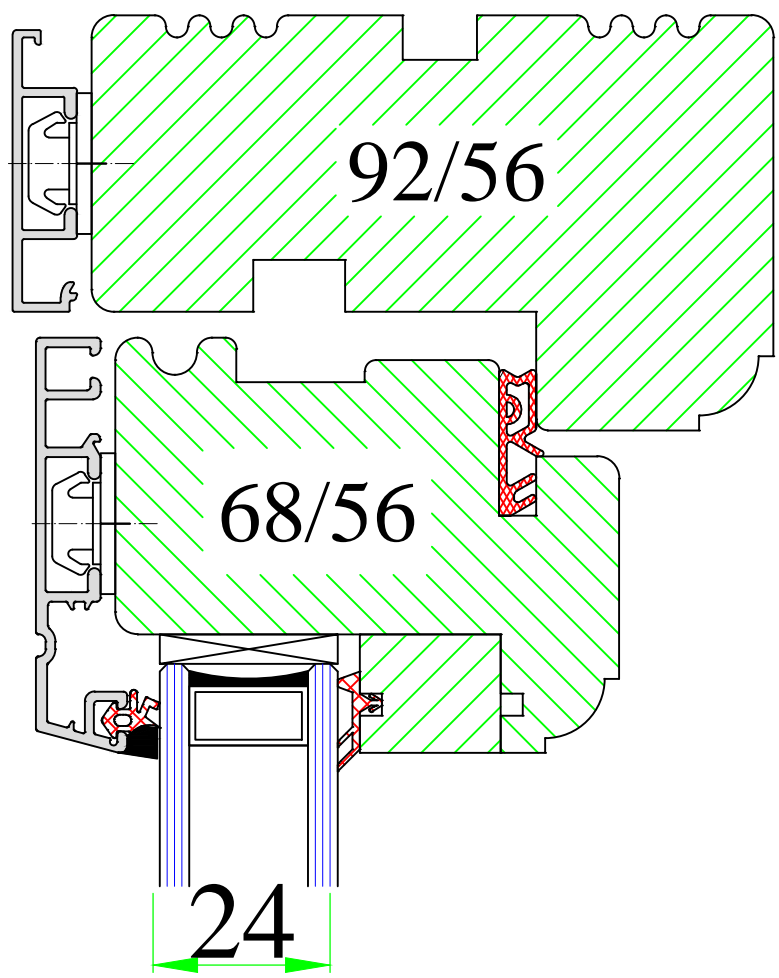
leaf
U=0,6



frame
U=1,1



leaf
U=1,1



www.uniwin.co.uk



UNI WINDOWS Ltd.
Unit 6, Edgefield Industrial Est.
Loanhead, EH20 9TB
Tel.: 0131 448 3931

Double glazing

DURWIN

Version: 1	Scale: 1:1
Date: 15.05.14	Drawing: ND/18-1

