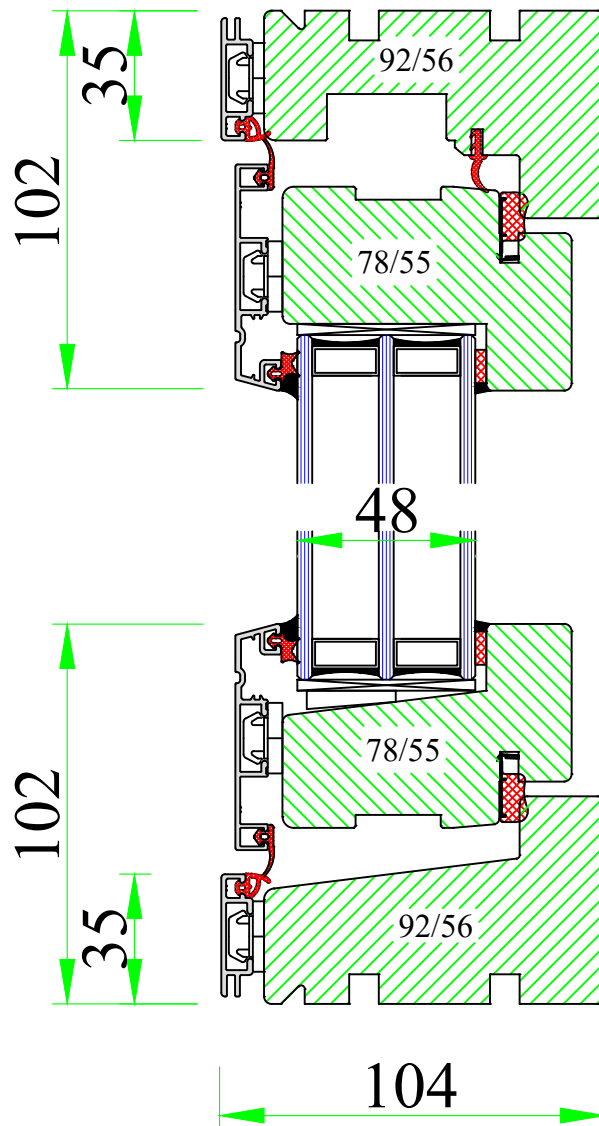
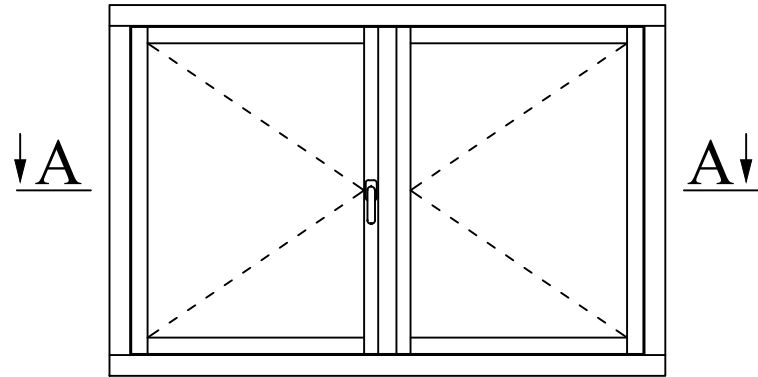
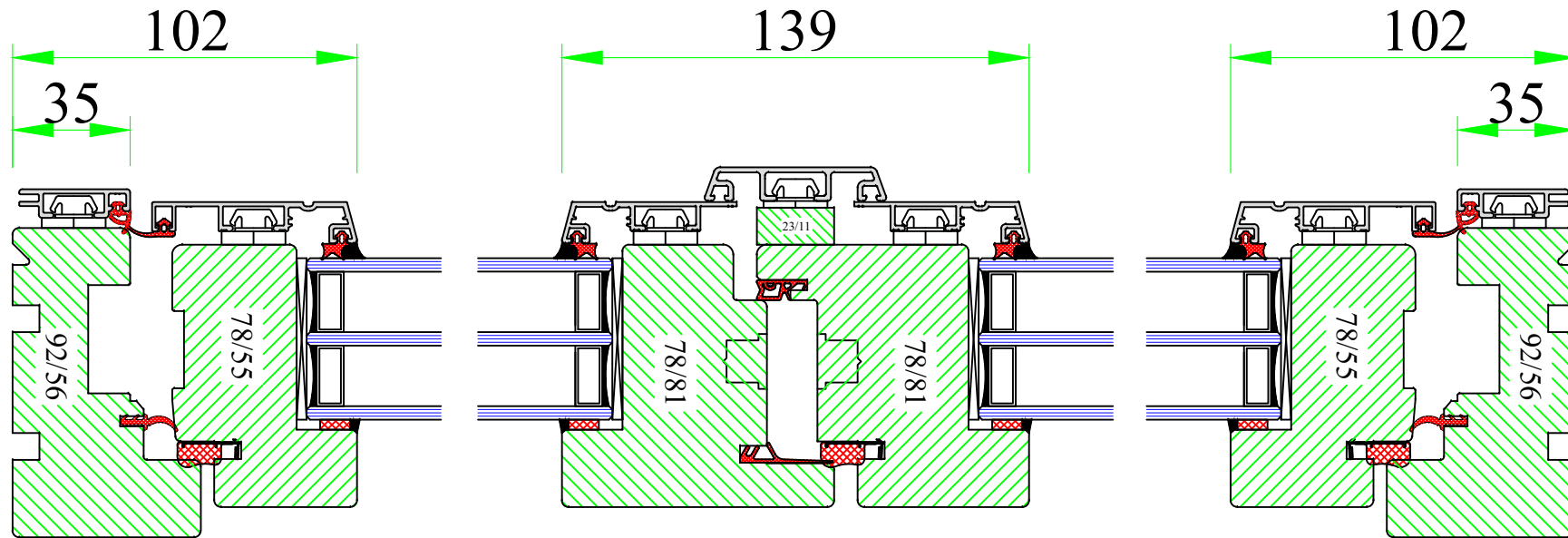


A-A





A-A



UNI WINDOWS Ltd.
 Unit 6, Edgefield Industrial Est.
 Loanhead, EH20 9TB
 Tel.: 0131 448 3931

Double opening window with
 flying mullion

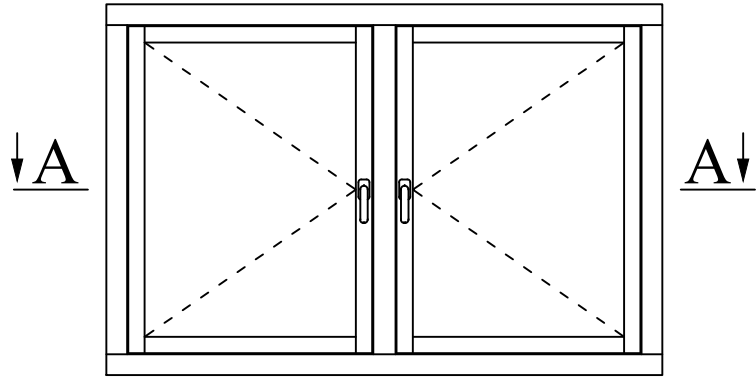
LUMIS

Version:
1

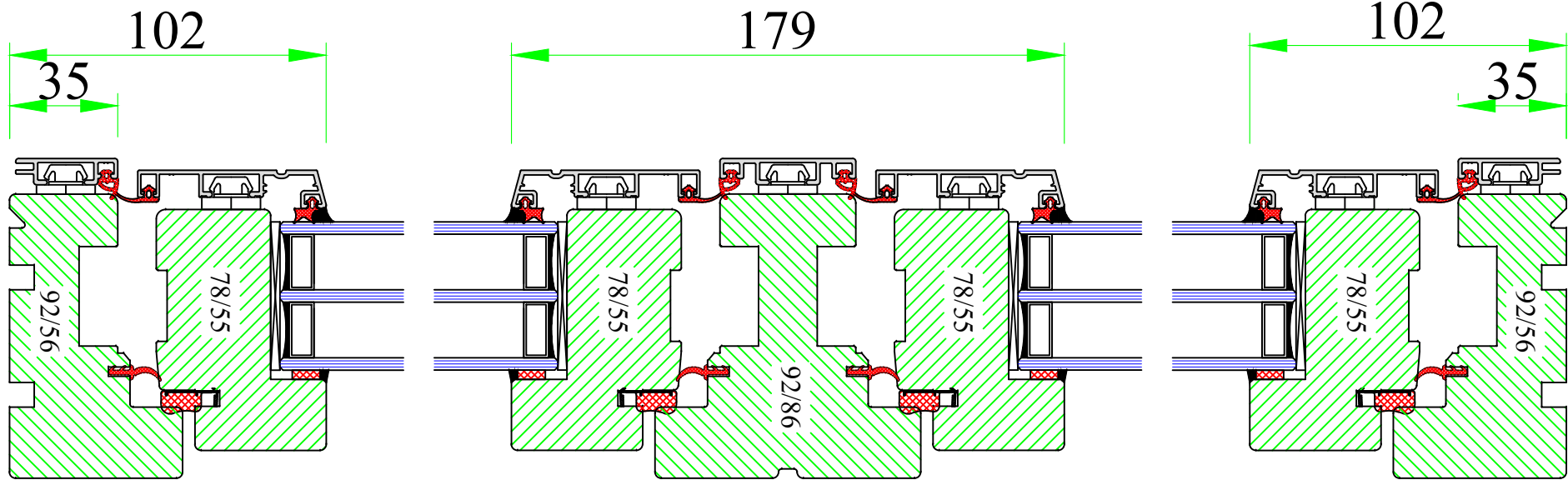
Scale:
1:2

Date:
14.12.18

Drawing:
LMO2



A-A

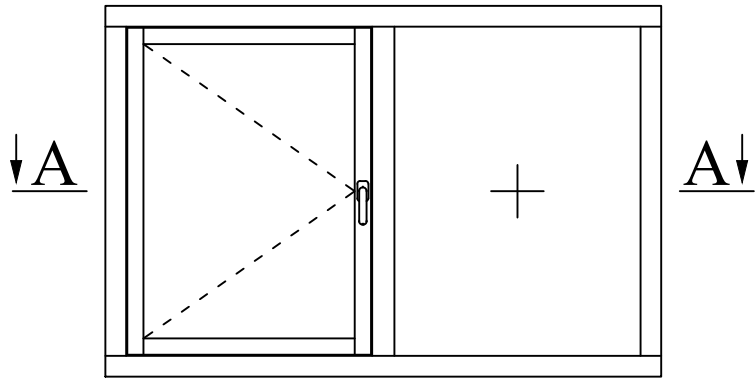


UNI WINDOWS Ltd.
 Unit 6, Edgefield Industrial Est.
 Loanhead, EH20 9TB
 Tel.: 0131 448 3931

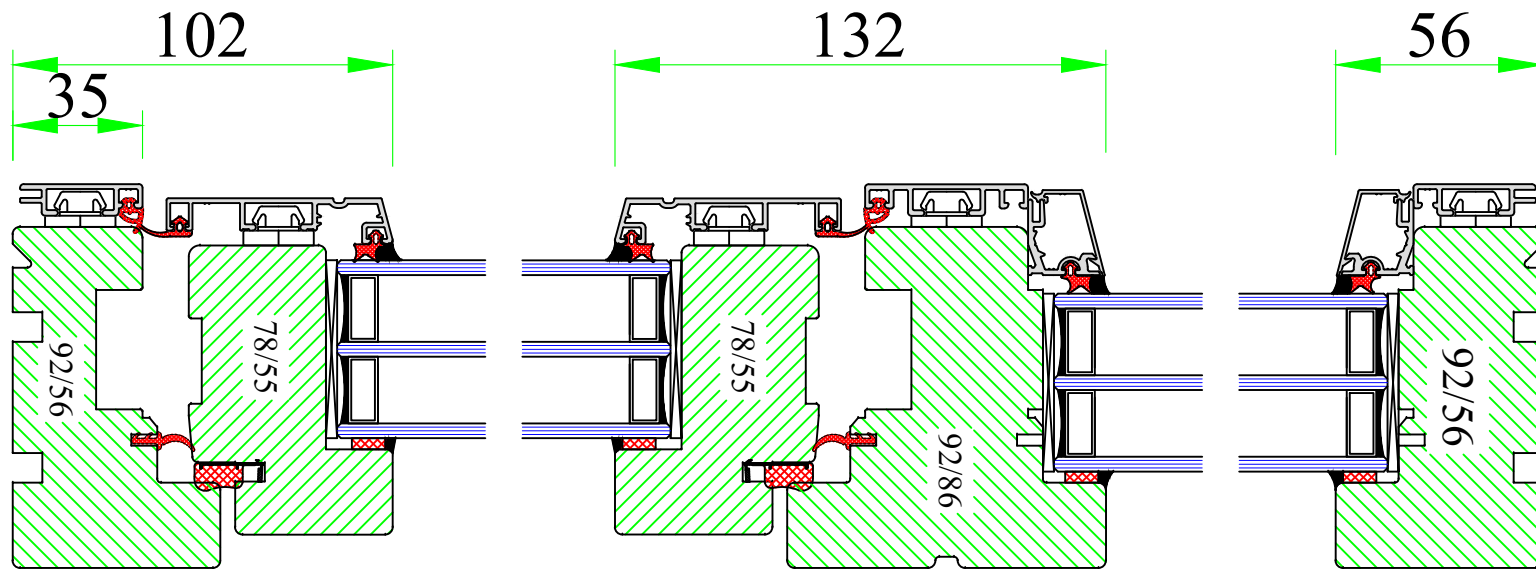
Double opening window with fixed
 mullion 86mm

LUMIS

Version: 1	Scale: 1:2
Date: 14.12.18	Drawing: LMO3



A-A

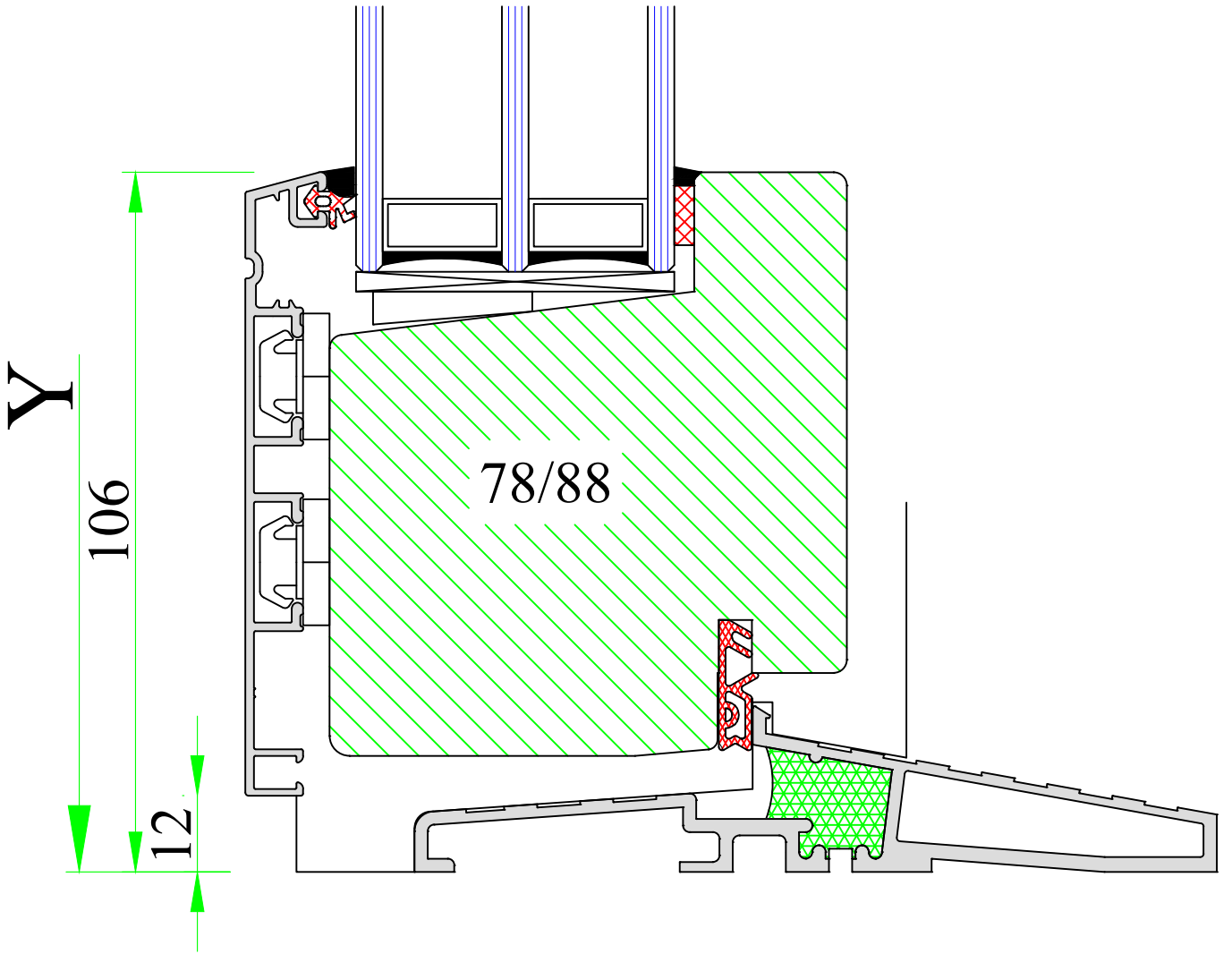
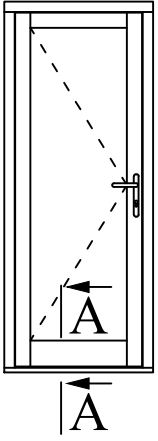


UNI WINDOWS Ltd.
 Unit 6, Edgefield Industrial Est.
 Loanhead, EH20 9TB
 Tel.: 0131 448 3931

Operable and fixed window,
 million 86mm

LUMIS

Version: 1	Scale: 1:2
Date: 14.12.18	Drawing: LMO4



UNI WINDOWS Ltd.
 Unit 6, Edgefield Industrial Est.
 Loanhead, EH20 9TB
 Tel.: 0131 448 3931

External door with low aluminium
 threshold DAFA

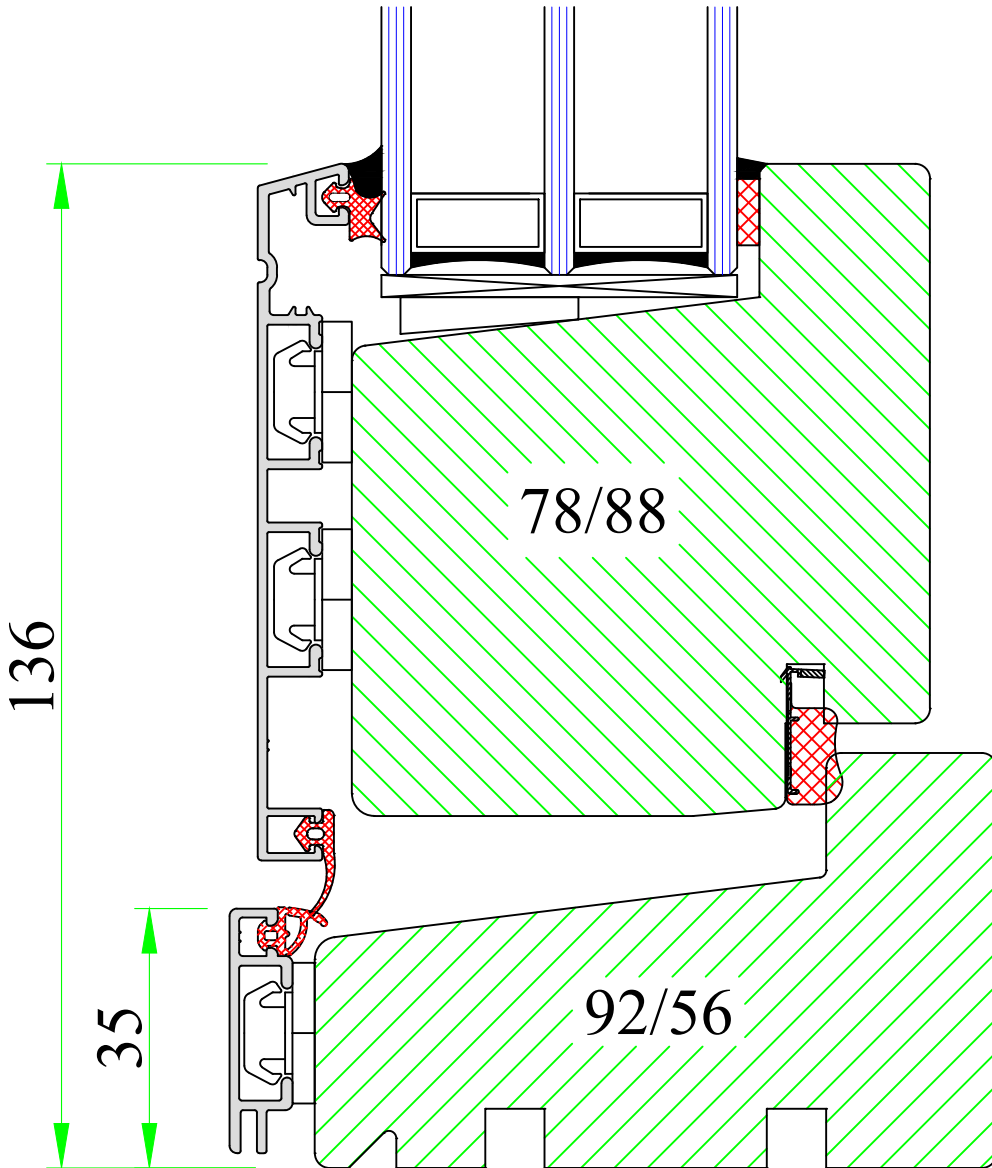
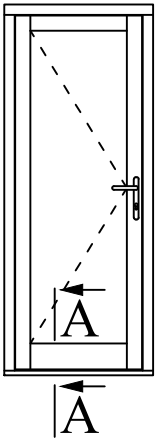
LUMIS

Version:
1

Scale:
1:1

Date:
14.12.18

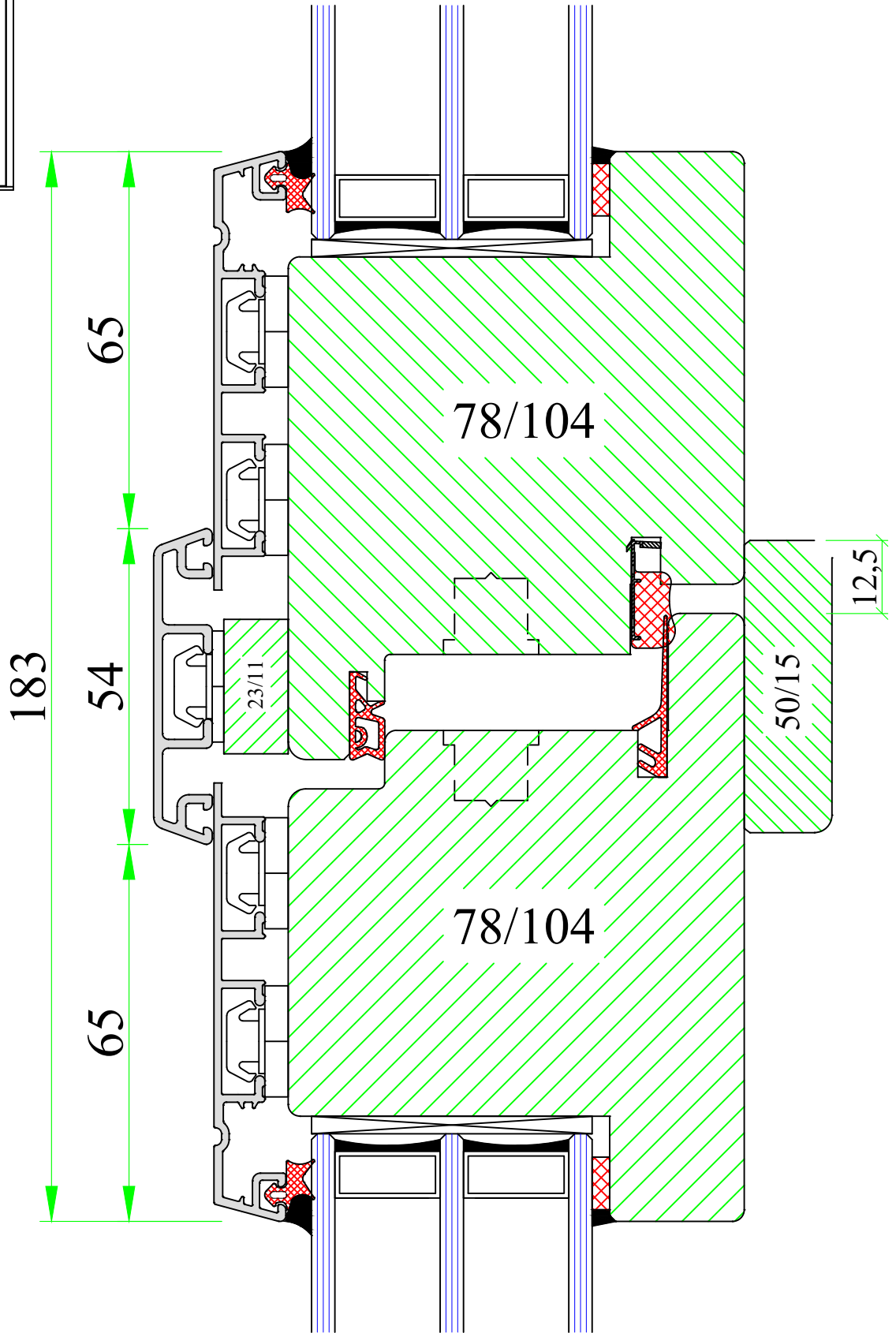
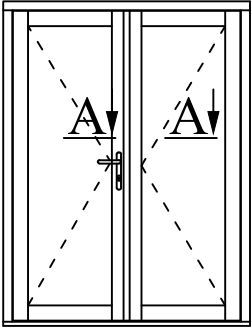
Drawing:
LMD1



UNI WINDOWS Ltd.
 Unit 6, Edgefield Industrial Est.
 Loanhead, EH20 9TB
 Tel.: 0131 448 3931

LUMIS
 External door with wooden threshold

Version: 1	Scale: 1:1
Date: 14.12.18	Drawing: LMD2

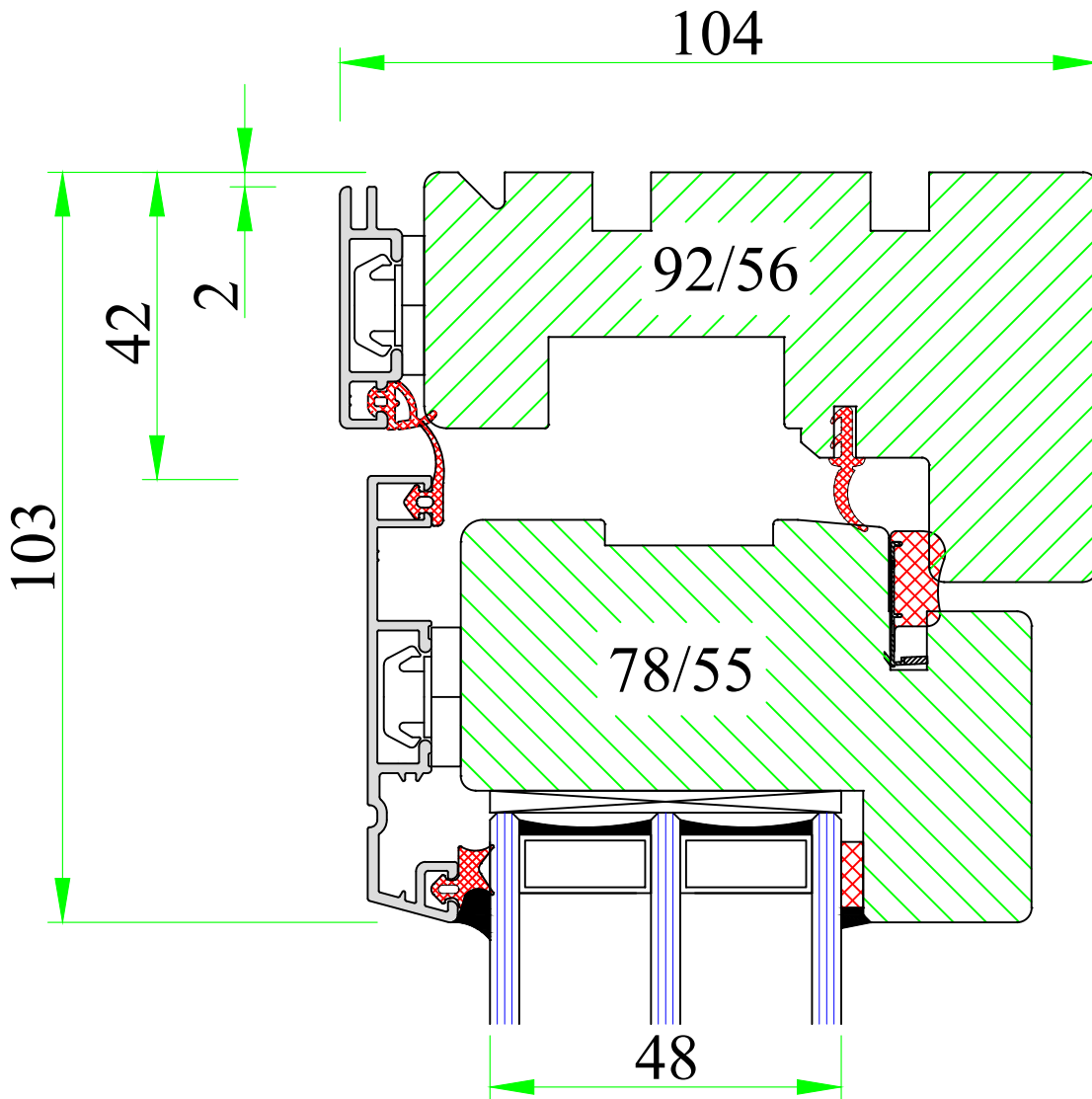
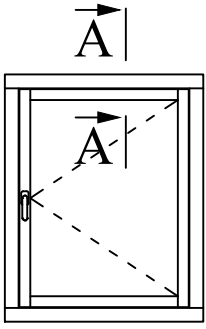


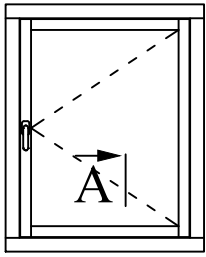
UNI WINDOWS Ltd.
 Unit 6, Edgefield Industrial Est.
 Loanhead, EH20 9TB
 Tel.: 0131 448 3931

External door - Flying mullion

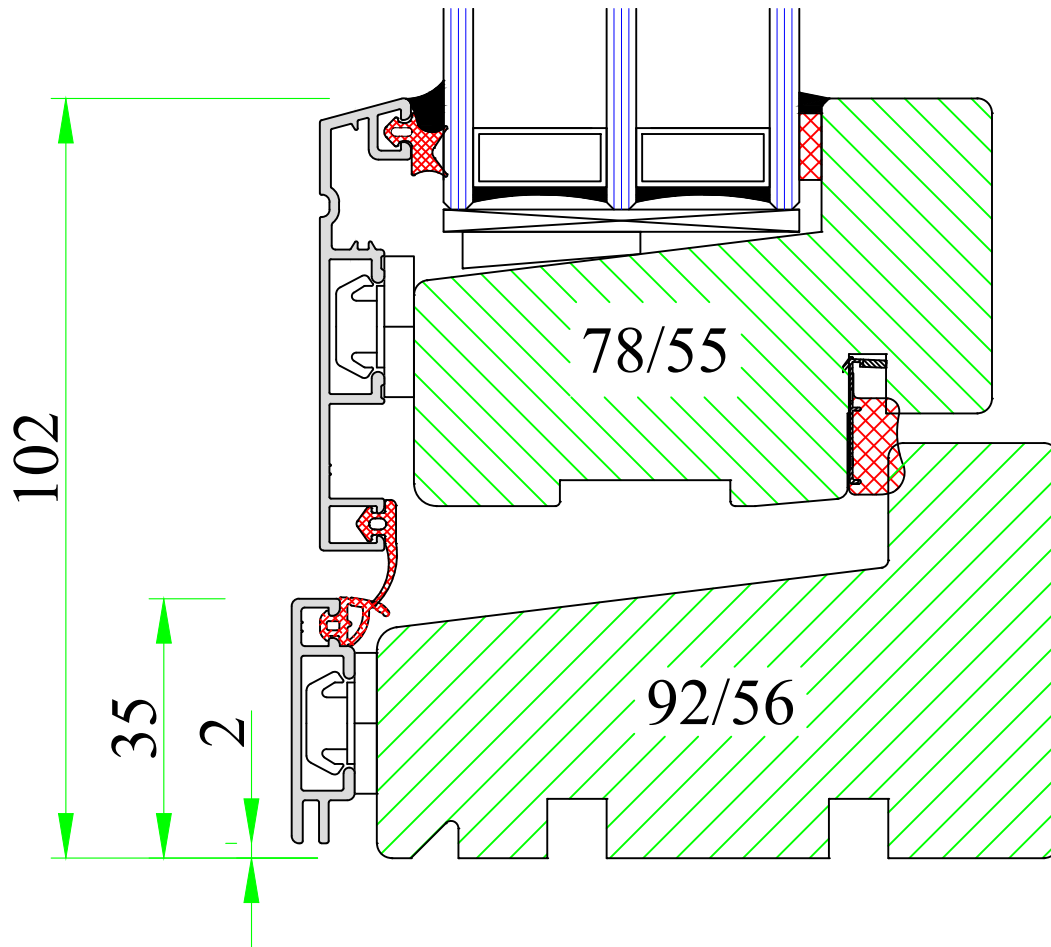
LUMIS

Version: 1	Scale: 1:1
Date: 14.12.18	Drawing: LMD3





A



UNI WINDOWS Ltd.
 Unit 6, Edgefield Industrial Est.
 Loanhead, EH20 9TB
 Tel.: 0131 448 3931

Frame to sash connection
 bottom

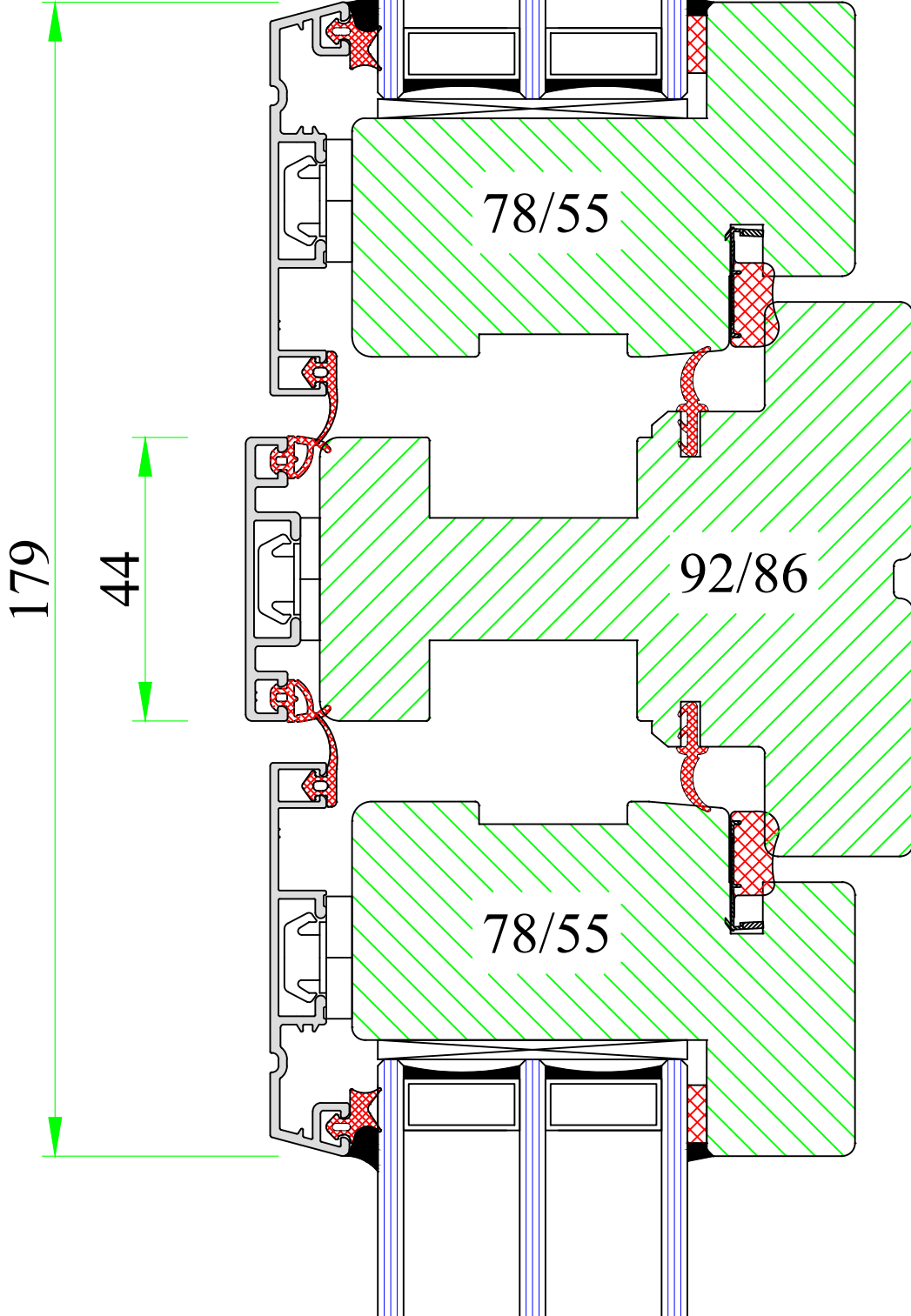
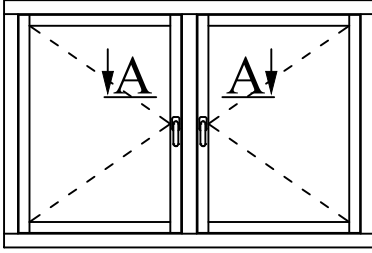
LUMIS

Version:
 1

Scale:
 1:1

Date:
 14.12.18

Drawing:
 LM2



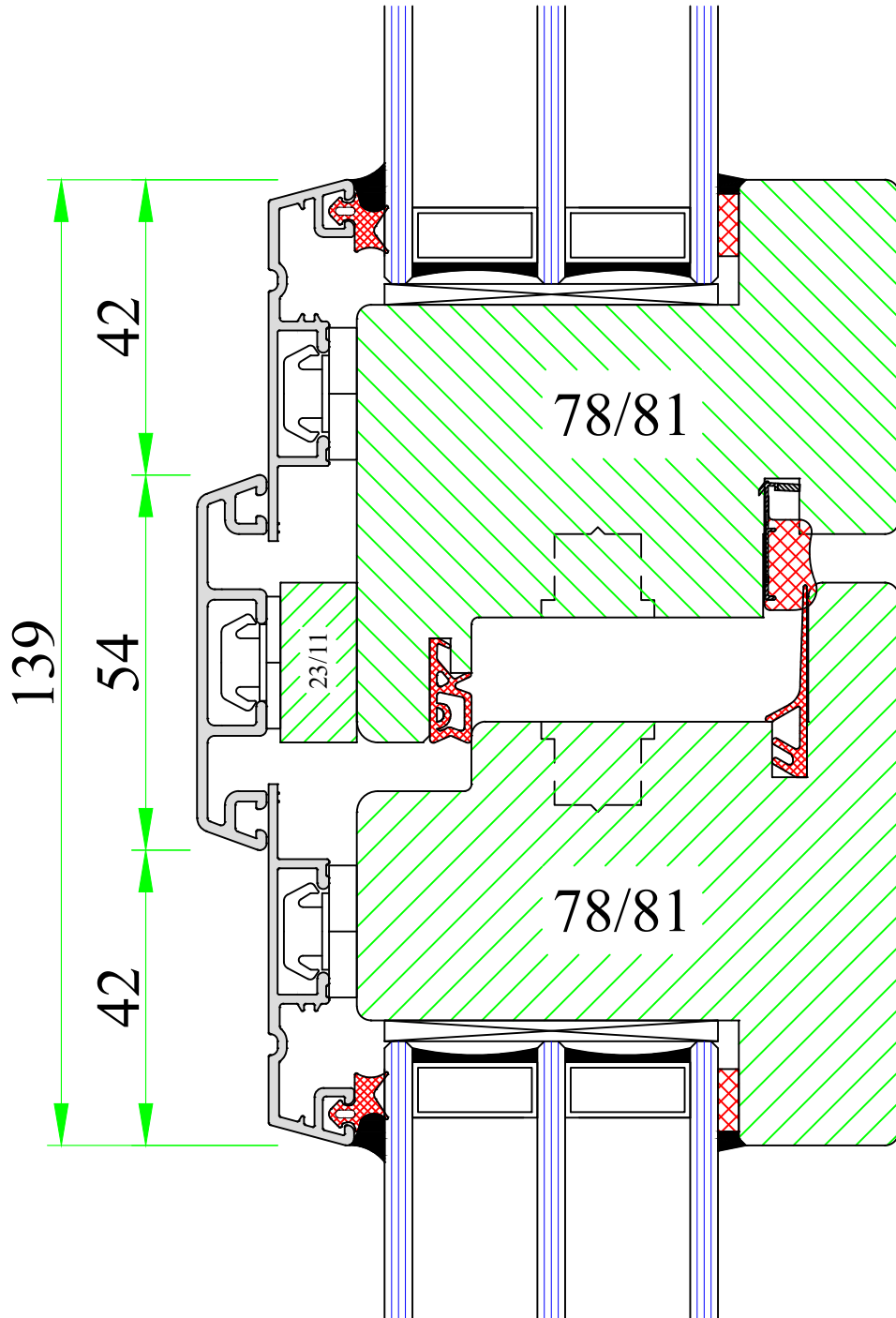
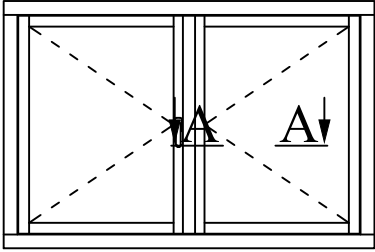
UNI WINDOWS Ltd.
 Unit 6, Edgefield Industrial Est.
 Loanhead, EH20 9TB
 Tel.: 0131 448 3931

Double opening window with
 fixed mullion 86mm

LUMIS

Version:
 1
 Date:
 14.12.18

Scale:
 1:1
 Drawing:
 LM3



UNI WINDOWS Ltd.
 Unit 6, Edgefield Industrial Est.
 Loanhead, EH20 9TB
 Tel.: 0131 448 3931

Double opening window with
 flying mullion

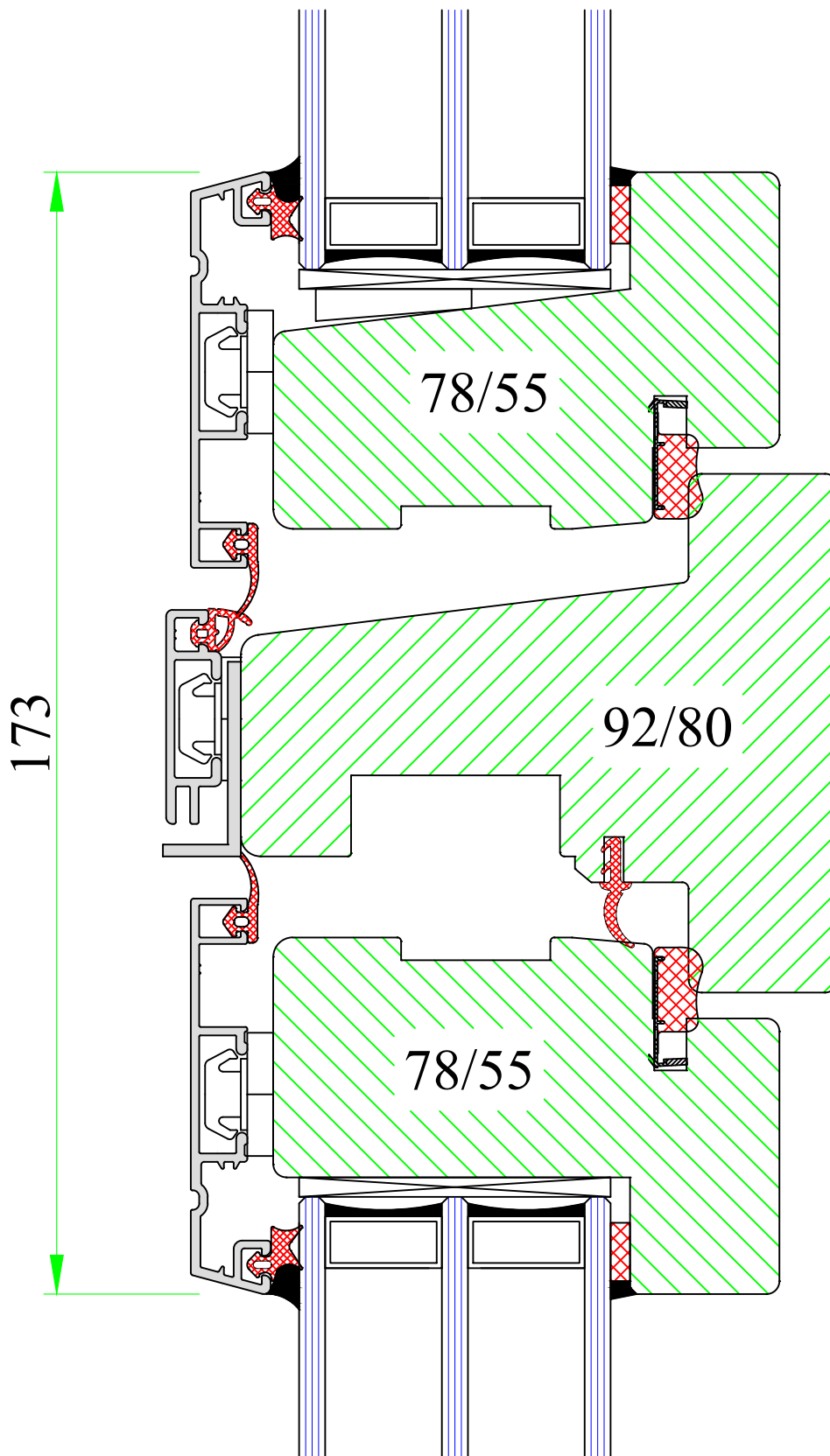
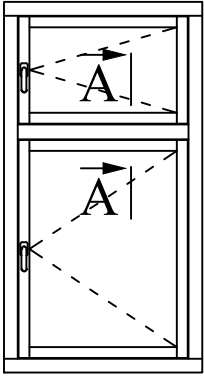
LUMIS

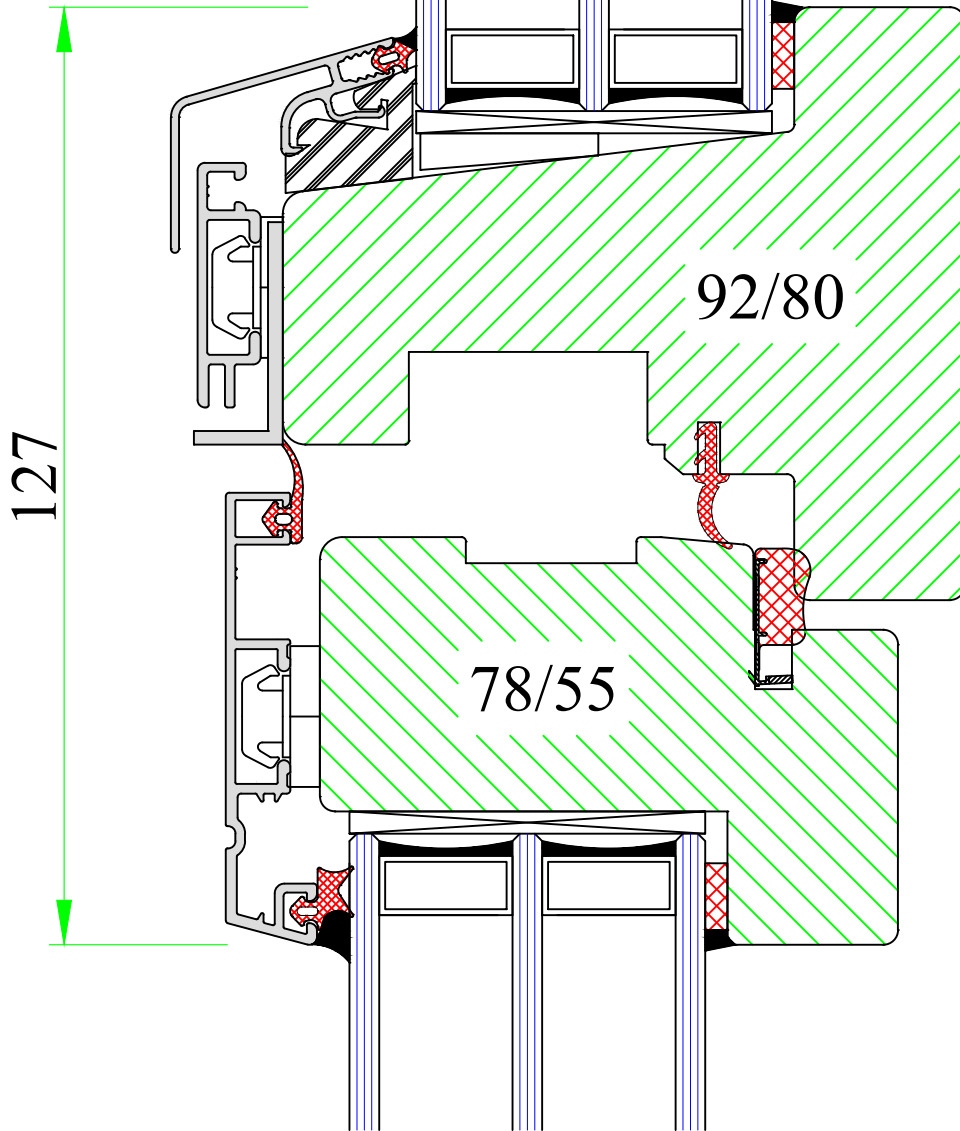
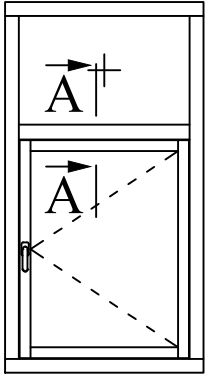
Version:
 1

Scale:
 1:1

Date:
 14.12.18

Drawing:
 LM4





UNI WINDOWS Ltd.
 Unit 6, Edgefield Industrial Est.
 Loanhead, EH20 9TB
 Tel.: 0131 448 3931

Window with fixed top light

LUMIS

Version: 1	Scale: 1:1
Date: 14.12.18	Drawing: LM9

